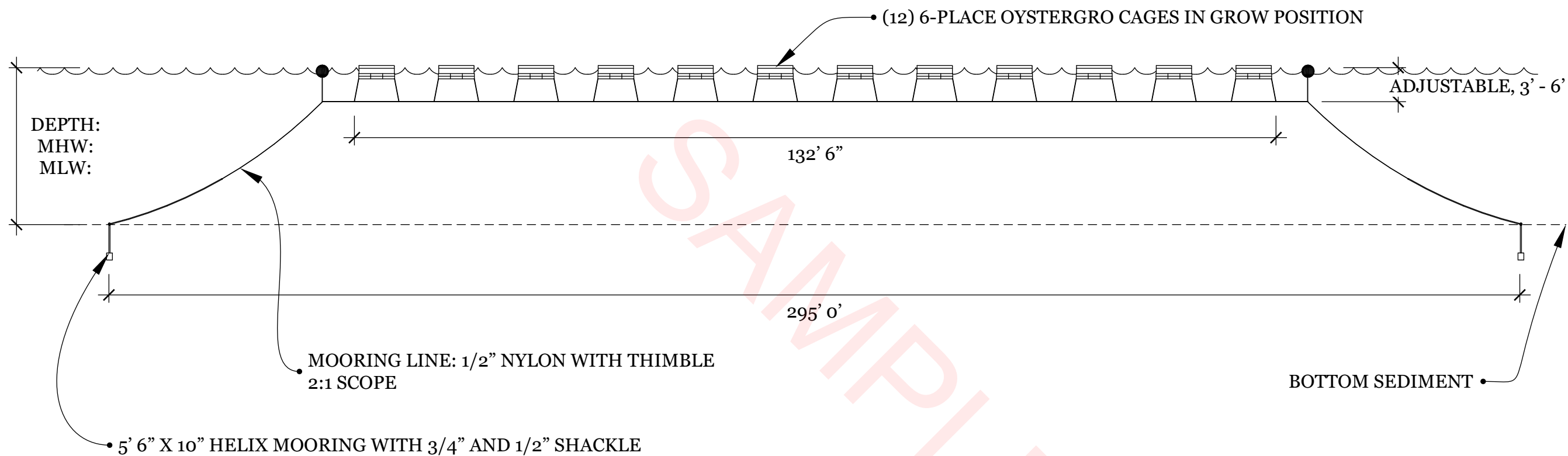
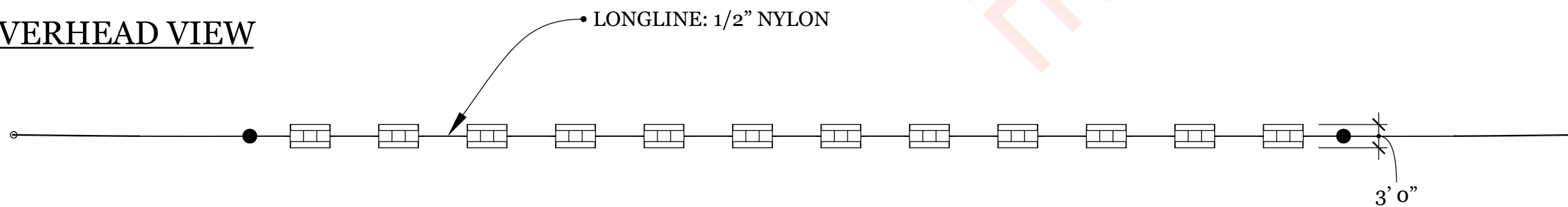


SUMMER GEAR LAYOUT

CROSS SECTIONAL VIEW



OVERHEAD VIEW



NOTES:

MOORING LINES: 3/8" CHAIN MAY BE SUBSTITUTED FOR 1/2" NYLON ON THE LOWER HALF OF MOORING LINE.

5/8" SHACKLES MAY BE SUBSTITUTED FOR 1/2" SHACKLES

1/2" CHAIN MAY BE SUBSTITUTED FOR 3/8" CHAIN

CUSTOMER NAME:

ISSUE

132' 6" x 3' 0" LONGLINE
(12) OYSTERGRO CAGES

DRAWN BY

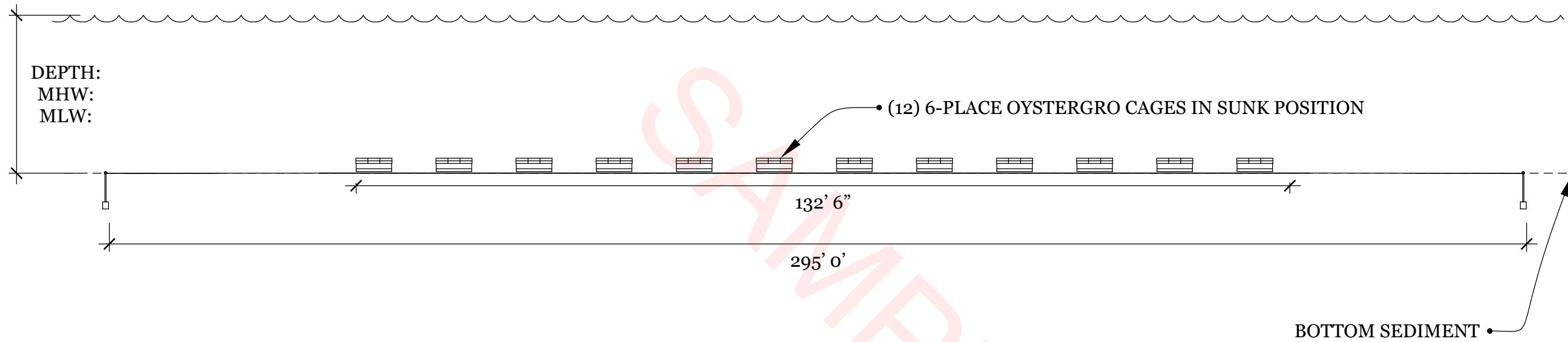
DESCRIPTION
SUMMER GEAR

a

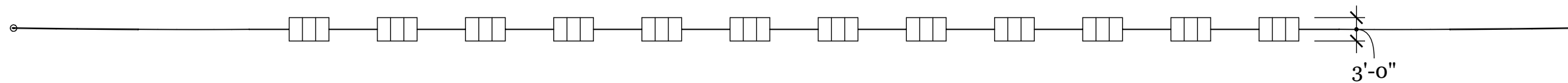
01

WINTER GEAR LAYOUT

CROSS SECTIONAL VIEW



OVERHEAD VIEW



NOTES:

MOORING LINES: 3/8" CHAIN MAY BE SUBSTITUTED FOR 1/2" NYLON ON THE LOWER HALF OF MOORING LINE.

5/8" SHACKLES MAY BE SUBSTITUTED FOR 1/2" SHACKLES

1/2" CHAIN MAY BE SUBSTITUTED FOR 3/8" CHAIN

CUSTOMER NAME:

ISSUE

132' 6" x 3' 0" LONGLINE
(12) OYSTERGRO CAGES

DRAWN BY

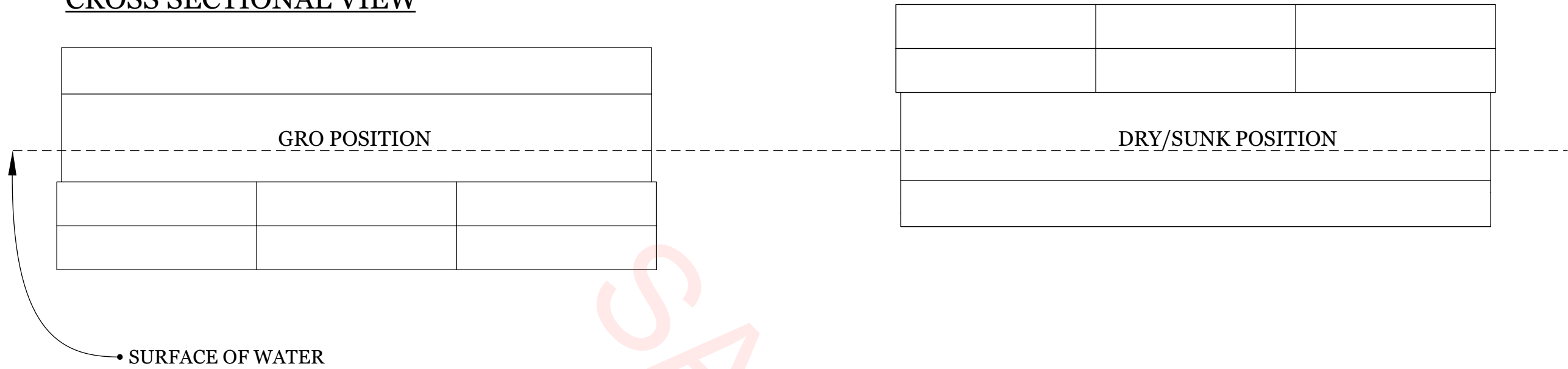
DESCRIPTION
WINTER GEAR

a

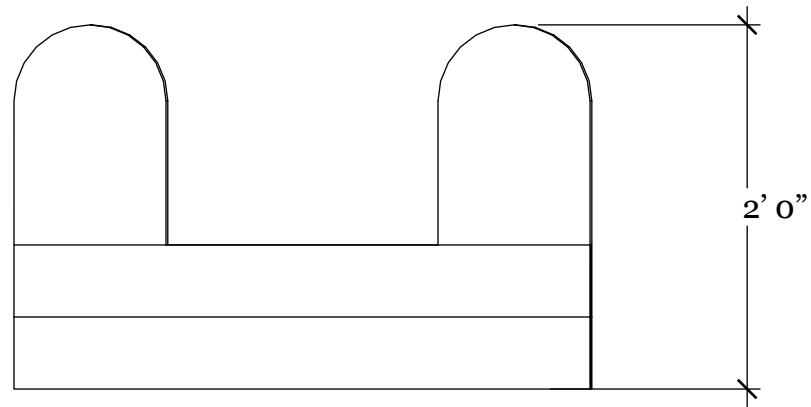
02

6-PLACE OYSTERGRO GEAR DETAIL

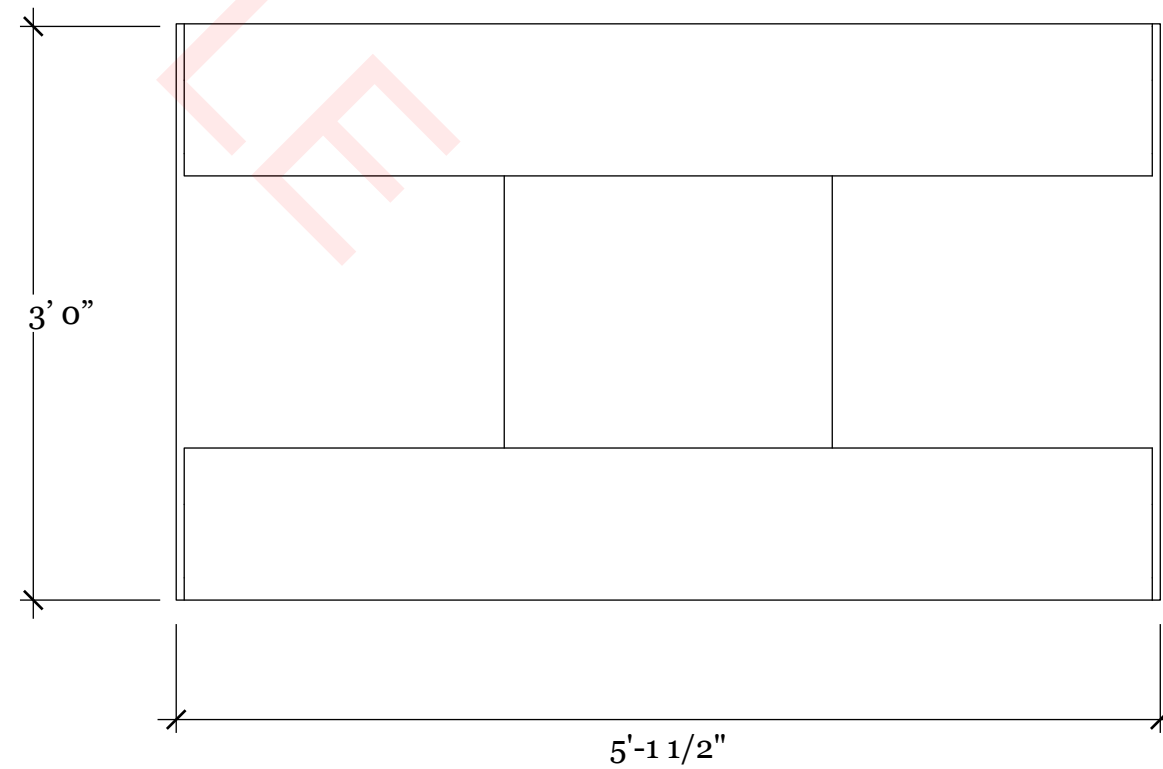
CROSS SECTIONAL VIEW



END VIEW



OVERHEAD VIEW



CUSTOMER NAME:

ISSUE

132' 6" x 3' 0" LONGLINE
(12) OYSTERGRO CAGES

DRAWN BY

DESCRIPTION
DETAIL- GEAR

a

03