

| Item No. | Qty. | Description |
|----------|------|-----------------------------------|
| 1 | 1 | Pole wood |
| 2 | 1 | Crossarm 10'-0" |
| 6 | 2 | Brace wood crossarm (1 pair) |
| 12 | 1 | Gain crossarm |
| 13 | 1 | Iron crossarm |
| 17 | 1 | Pin ridge single |
| 18 | 1 | Pin insulator short |
| 19 | 2 | Pin insulator long |
| 30 | 3 | Insulator line post |
| 32 | 2 | Bolt machine w/sq, nut 1/2" x 7" |
| 37 | 3 | Bolt machine w/sq, nut 5/8" x 12" |
| 53 | 1 | Bolt machine w/sq, nut 3/4" x 16" |
| 54 | 2 | Washer square 2 1/4" |
| 56 | 1 | Washer square 3" |
| 59 | 2 | Washer sq. curved 3" |
| 60 | 2 | Washer helical 1/2" |
| 61 | 3 | Washer helical 5/8" |
| 61 | 1 | Washer helical 3/4" |

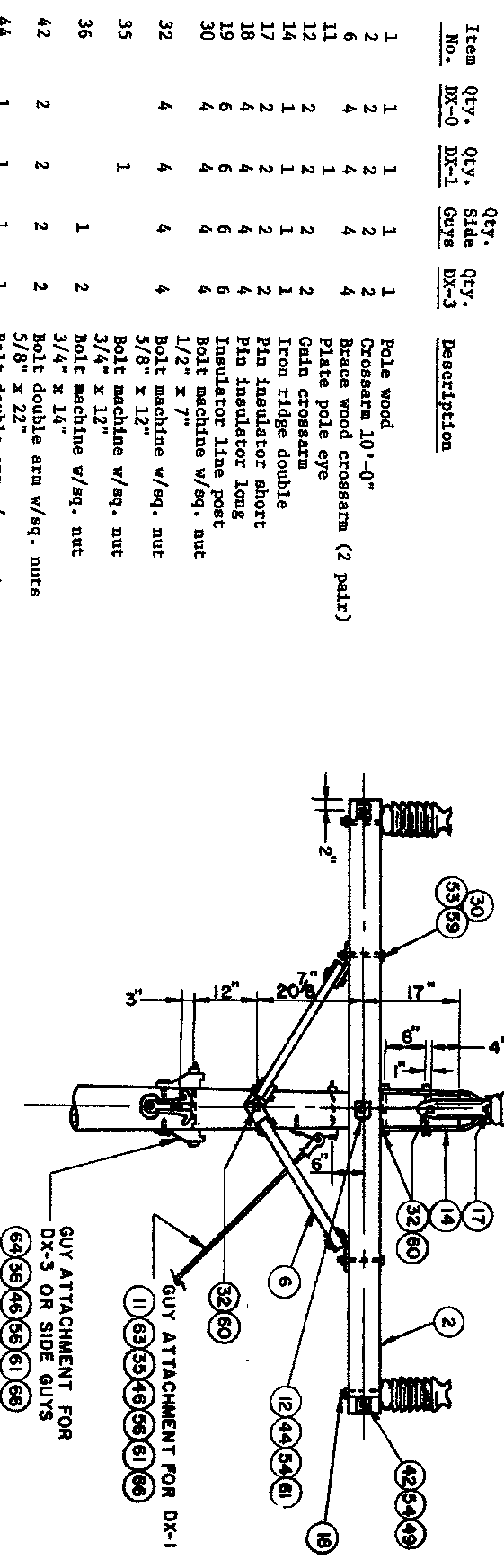
| NO. | REVISION | DATE | BY | OK | P.E. | P.E. |
|-----|-------------------|---------|----|-----|------|------|
| A | ISSUED FOR REVIEW | 11/5/03 | SP | DPE | 000 | 000 |
| | | | | | | |
| | | | | | | |
| | | | | | | |
| | | | | | | |

| | |
|-----------------|--------------|
| CLIENT APPROVAL | DPE DESIGNED |
| APPROVED BY | SP DRAWN |
| DATE | CREATED |
| 000 | 000 |
| 000 | 000 |
| 000 | 000 |
| 000 | 000 |
| 000 | 000 |

| | | |
|---|--|---|
| <p>E-PRO Engineering & Environmental Consulting, LLC 249 Western Ave, Augusta, ME 04330 DATE 11/5/03</p> | <p>REDINGTON WIND FARM PROJECT SINGLE CROSSARM (SX) STRUCTURE 34.5KV TRANSMISSION REDINGTON TOWNSHIP MAINE</p> | <p>10166-E500 SHEET #1 REV. A</p> |
|---|--|---|

SCALE NONE

FILENAME:34.5KVTRNSMNSHT1.DWG



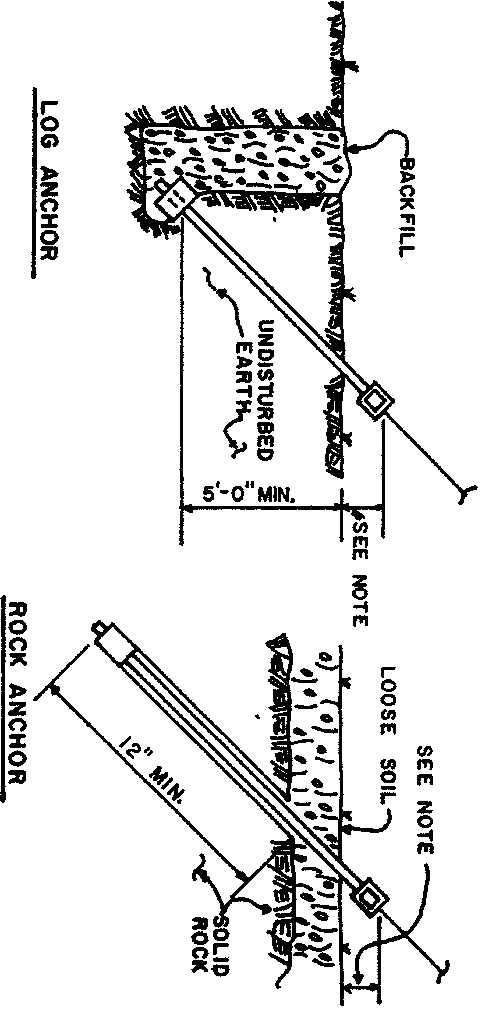
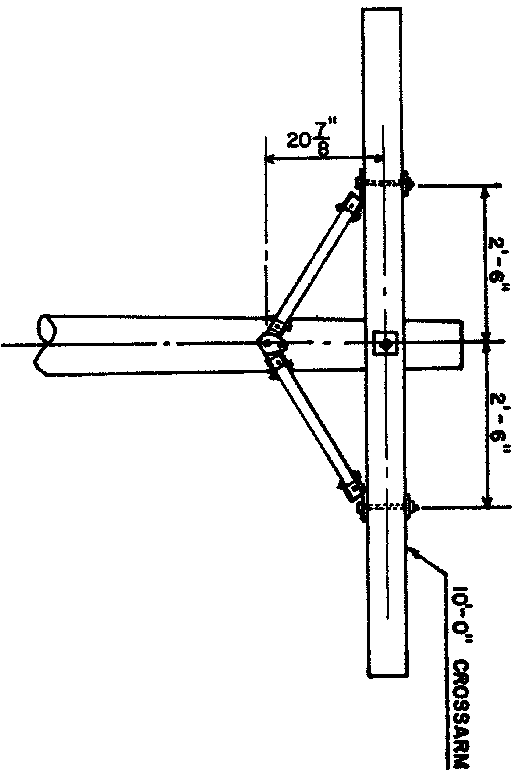
| Item No. | Qty. DX-0 | Qty. DX-1 | Qty. Side Guys | Qty. DX-3 | Description |
|----------|-----------|-----------|----------------|-----------|---------------------------------------|
| 1 | 1 | 1 | 1 | 1 | Pole wood |
| 2 | 2 | 2 | 2 | 2 | Crossarm 10'-0" |
| 6 | 4 | 4 | 4 | 4 | Brace wood crossarm (2 pair) |
| 11 | 1 | 1 | 1 | 1 | Plate pole eye |
| 12 | 2 | 2 | 2 | 2 | Gain crossarm |
| 14 | 1 | 1 | 1 | 1 | Iron ridge double |
| 17 | 2 | 2 | 2 | 2 | Pin insulator short |
| 18 | 4 | 4 | 4 | 4 | Pin insulator long |
| 19 | 6 | 6 | 6 | 6 | Insulator line post |
| 30 | 4 | 4 | 4 | 4 | Bolt machine w/sq. nut 1/2" x 7" |
| 32 | 4 | 4 | 4 | 4 | Bolt machine w/sq. nut 5/8" x 12" |
| 35 | 1 | 1 | 1 | 1 | Bolt machine w/sq. nut 3/4" x 12" |
| 36 | 1 | 1 | 1 | 2 | Bolt machine w/sq. nut 3/4" x 14" |
| 42 | 2 | 2 | 2 | 2 | Bolt double arm w/sq. nuts 5/8" x 22" |
| 44 | 1 | 1 | 1 | 1 | Bolt double arm w/sq. nuts 3/4" x 22" |
| 46 | 1 | 1 | 2 | 3 | Bolt lag |
| 48 | 8 | 8 | 8 | 8 | Nut pal 5/8" |
| 53 | 4 | 4 | 4 | 4 | Washer square 2 1/4" |
| 54 | 4 | 4 | 4 | 4 | Washer square 3" |
| 56 | 10 | 10 | 10 | 10 | Washer sq. curved 3" |
| 59 | 1 | 1 | 1 | 1 | Washer helical 1/2" |
| 60 | 4 | 4 | 4 | 4 | Washer helical 5/8" |
| 61 | 2 | 2 | 2 | 3 | Washer helical 3/4" |
| 63 | 1 | 1 | 2 | 3 | Insulator strain |
| 64 | 1 | 1 | 2 | 3 | Hook guy |
| 66 | 2 | 2 | 4 | 6 | Grip guy |
| 68 | 1 | 1 | 2 | 3 | Guard guy |
| 69 | 1 | 1 | 2 | 3 | Rod anchor |
| 71 | 1 | 1 | 2 | 3 | Anchor power installed |
| 73 | 50' | 100' | 150' | 150' | Wire guy 5/16" galv. |

THIS DRAWING SHALL BE REVISED ON THE CADD SYSTEM ONLY

| NO. | REVISION | DATE | BY | OK | P.E. | P.E. |
|-----|-------------------|---------|----|-----|------|------|
| A | ISSUED FOR REVIEW | 11/5/03 | SP | DPE | 000 | 000 |
| | | | | | | |
| | | | | | | |
| | | | | | | |
| | | | | | | |
| | | | | | | |
| | | | | | | |
| | | | | | | |
| | | | | | | |
| | | | | | | |
| | | | | | | |
| | | | | | | |
| | | | | | | |
| | | | | | | |

| CLIENT APPROVAL | REVIEWED |
|------------------------------|---------------------------|
| _____ APPROVED BY DATE | _____ APPROVED DATE |

| | | |
|---|---|----------------------------------|
| REDINGTON WIND FARM PROJECT DOUBLE CROSSARM (DX) STRUCTURE 34.5KV TRANSMISSION REDINGTON TOWNSHIP MAINE | E-PRO Engineering & Environmental Consulting, LLC 249 Western Ave Augusta, Maine 04330 DATE 11/5/03 | 10166-E500 SHEET #2 REV. A |
|---|---|----------------------------------|

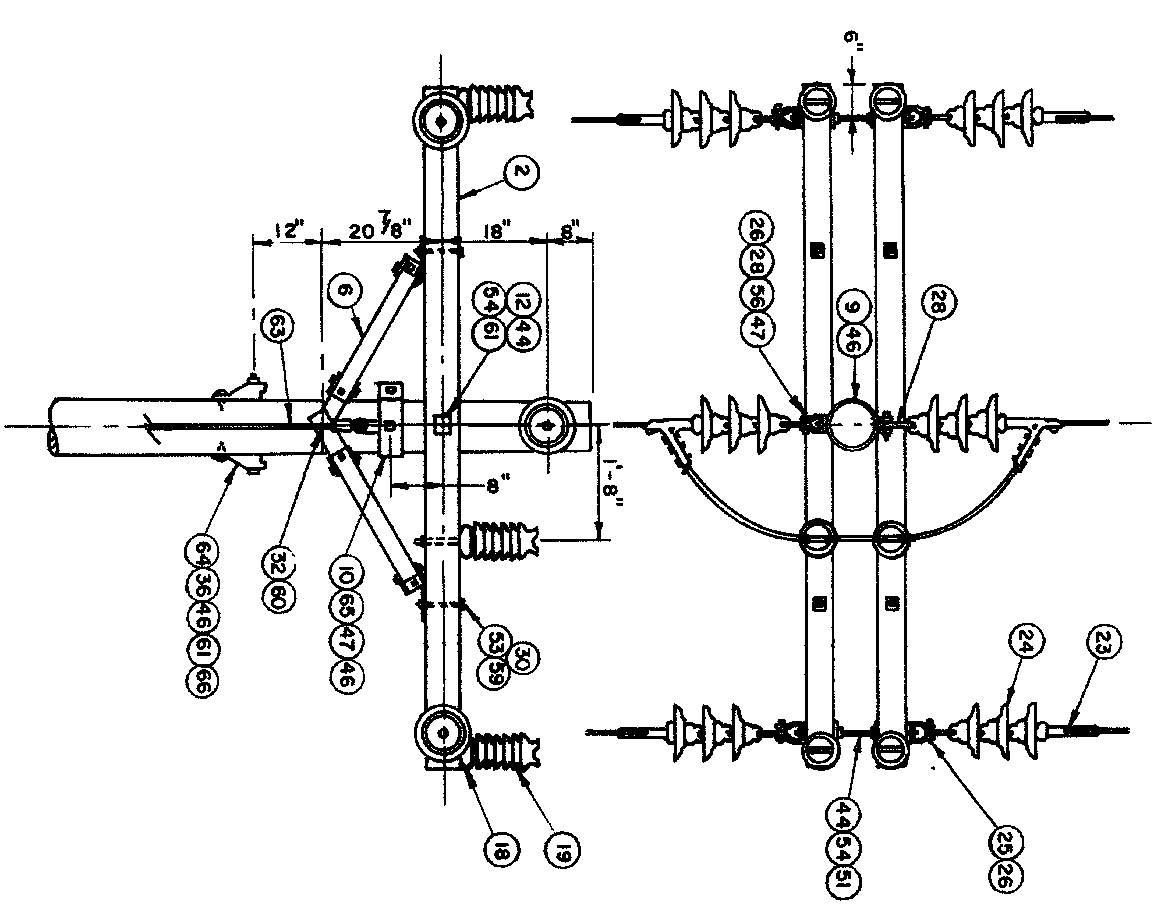


NOTE: EYE OF ANCHOR ROD SHALL BE 6" TO 18" ABOVE GROUND

| NO. | REVISION | DATE | BY | OK | P.E. | P.E. |
|-----|-------------------|---------|----|-----|------|------|
| A | ISSUED FOR REVIEW | 11/9/03 | SP | DPE | 000 | 000 |
| | | | | | | |
| | | | | | | |
| | | | | | | |
| | | | | | | |

| | | | | | | |
|-----------------|-----|---|----------|---|------------------------|-----------|
| CLIENT APPROVAL | DPE | E-PRO Engineering & Environmental Consulting, LLC 249 Western Ave Augusta, Maine 04330 DATE 11/9/03 | REVIEWED | REDINGTON WIND FARM PROJECT GUYING & CROSSARM DETAIL 34.5KV TRANSMISSION REDINGTON TOWNSHIP MAINE | 10166-E500 SHEET #7 | REV. A |
| APPROVED BY | SP | | APPROVED | | | |
| DATE | 000 | | 000 | | | |

| Item No. | Qty. | Description |
|----------|------|---------------------------------------|
| 1 | 1 | Pole wood |
| 2 | 2 | Crossarm 10'-0" |
| 6 | 4 | Brace wood crossarm (2 pair) |
| 9 | 4 | Band pole small |
| 10 | 1 | Band pole large |
| 12 | 2 | Galn crossarm |
| 18 | 6 | Pin long steel |
| 19 | 6 | Insulator line post |
| 23 | 6 | Clamp strain |
| 24 | 18 | Insulator suspension |
| 25 | 4 | Eye ball |
| 26 | 5 | Clevis dead end |
| 28 | 2 | Eye ball hot line oval |
| 30 | 4 | Bolt machine w/sq. nut 1/2" x 7" |
| 32 | 1 | Bolt machine w/sq. nut 5/8" x 12" |
| 36 | 1 | Bolt machine w/sq. nut 3/4" x 14" |
| 44 | 3 | Bolt double arm w/sq. nuts 3/4" x 22" |
| 46 | 4 | Bolt 1 1/2" |
| 47 | 3 | Bolt cone head |
| 51 | 8 | Nut pal 3/4" |
| 53 | 4 | Washer square 2 1/4" |
| 54 | 6 | Washer square 3" |
| 55 | 4 | Washer sq. square 4" |
| 56 | 1 | Washer sq. curved 3" |
| 59 | 4 | Washer helical 1/2" |
| 60 | 1 | Washer helical 5/8" |
| 61 | 2 | Washer helical 3/4" |
| 63 | 2 | Insulator strain |
| 2 | 2 | Hook guy 25-1290L |
| 65 | 2 | Clip guy |
| 66 | 8 | Gr-tip guy |
| 68 | 4 | Guard guy |
| 69 | 4 | Rod anchor |
| 71 | 4 | Anchor power installed |
| 73 | 200' | Wire guy 5/16" galv. |

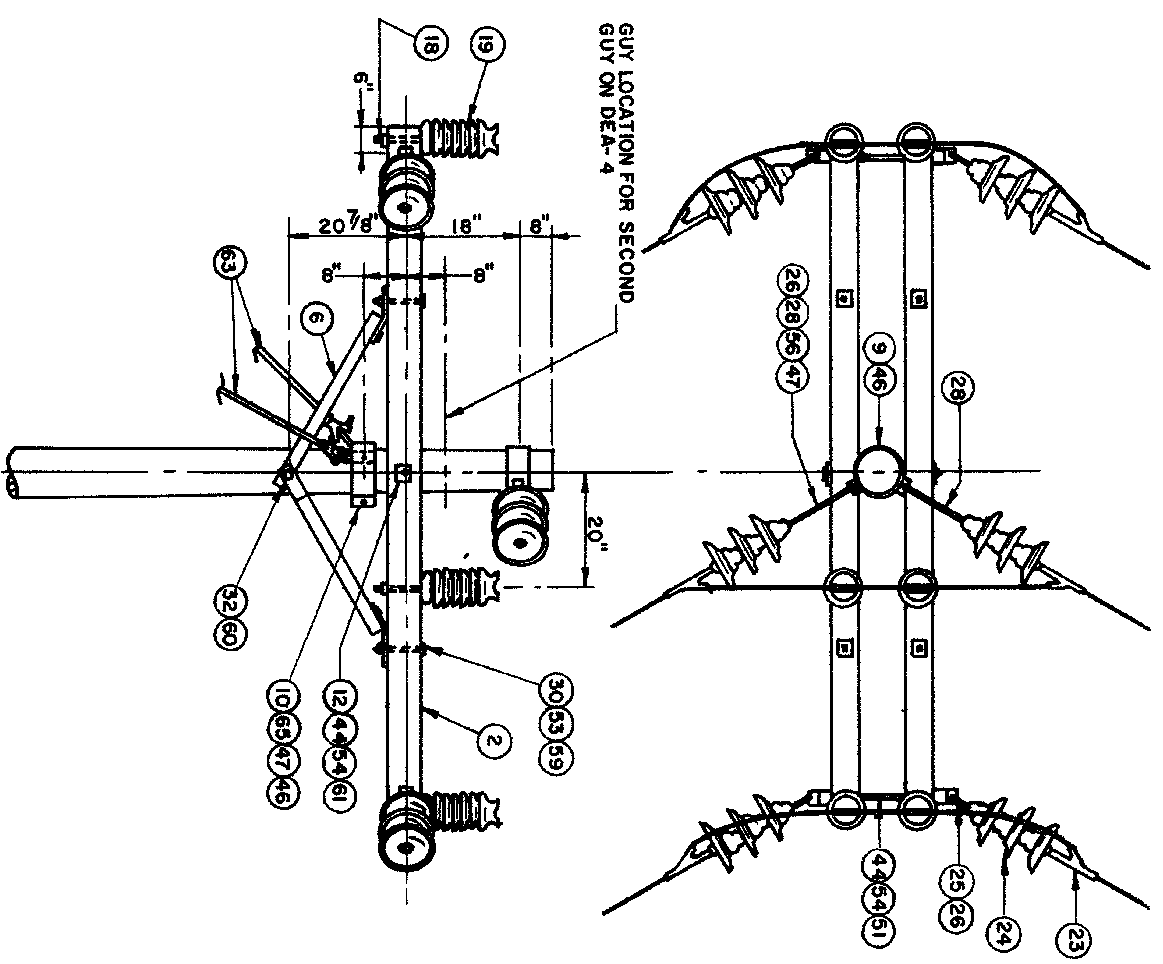


| NO. | REVISION | DATE | BY | OK | P.E. | P.E. |
|-----|-------------------|---------|----|-----|------|------|
| A | ISSUED FOR REVIEW | 11/9/03 | SP | DPE | 000 | 000 |
| | | | | | | |
| | | | | | | |
| | | | | | | |
| | | | | | | |
| | | | | | | |

| | | | | | |
|--|--|--|--|------------------------|--------|
| CLIENT APPROVAL 000 APPROVED BY 000 DATE 00/00/01 | DPE DESIGNED SP 000 CHECKED 000 APPROVED 000 | REDINGTON WIND FARM PROJECT DEAD END (DE) STRUCTURE 34.5KV TRANSMISSION REDINGTON TOWNSHIP MAINE | E-PRO Engineering & Environmental Consulting, LLC 249 Western Ave, Augusta, ME 04330 DATE 11/9/03 | 10166-E500 SHEET #6 | REV. A |
|--|--|--|--|------------------------|--------|

SCALE NONE FILENAME:34.5KVTRANSMSH6.DWG

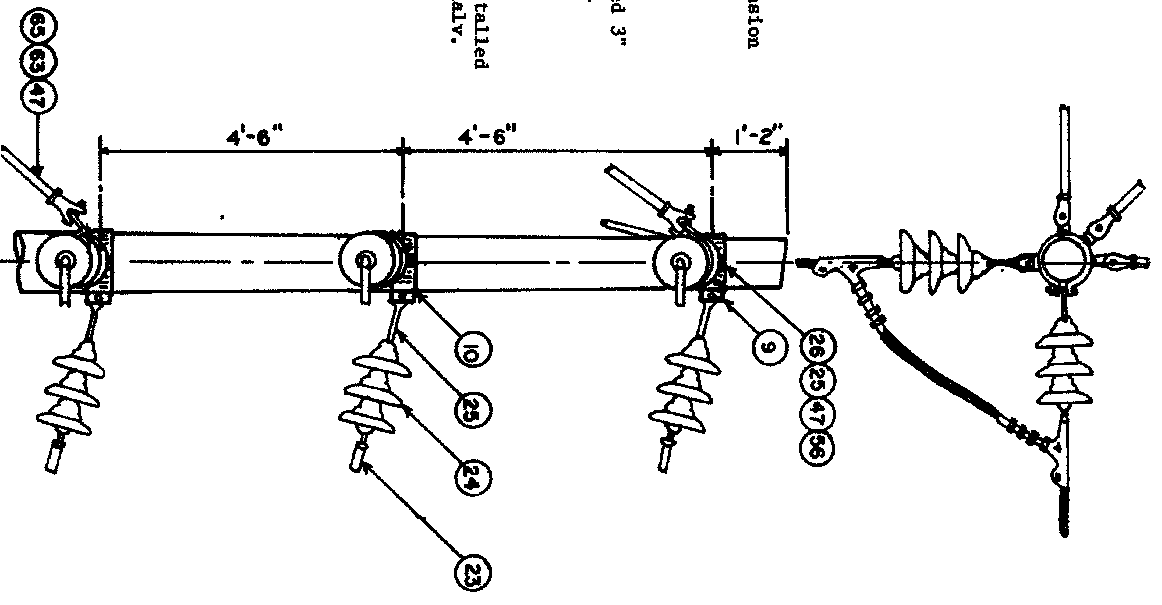
| Item No. | Qty. DZA-3 | Qty. DBA-4 | Description |
|----------|------------|------------|---------------------------------------|
| 1 | 1 | 1 | Pole wood |
| 2 | 2 | 2 | Crossarm 10'-0" |
| 6 | 4 | 4 | Brace wood crossarm (2 pair) |
| 9 | 1 | 1 | Band pole small |
| 10 | 1 | 1 | Band pole large |
| 12 | 2 | 2 | Geln crossarm |
| 18 | 6 | 6 | Pin long steel |
| 19 | 6 | 6 | Insulator line post |
| 23 | 6 | 6 | Clamp strain |
| 24 | 18 | 18 | Insulator suspension |
| 25 | 4 | 4 | Eye ball |
| 26 | 5 | 5 | Clevis dead end |
| 28 | 2 | 2 | Eye ball hot line |
| 30 | 4 | 4 | Bolt machine w/sq. nut 1/2" x 7" |
| 32 | 1 | 1 | Bolt machine w/sq. nut 5/8" x 12" |
| 44 | 3 | 3 | Bolt double arm w/sq. nuts 3/4" x 22" |
| 46 | 2 | 2 | Bolt lag |
| 47 | 4 | 4 | Bolt cone head |
| 51 | 8 | 8 | Nut pal 3/4" |
| 53 | 4 | 4 | Washer square 2 L/4" |
| 54 | 6 | 6 | Washer square 3" |
| 55 | 3 | 3 | Washer square 4" |
| 56 | 1 | 1 | Washer sq. curved 3" |
| 59 | 4 | 4 | Washer helical 1/2" |
| 60 | 1 | 1 | Washer helical 5/8" |
| 61 | 1 | 1 | Washer helical 3/4" |
| 63 | 3 | 3 | Insulator strain |
| 65 | 3 | 3 | Clamp guy |
| 66 | 6 | 6 | Clamp guy |
| 68 | 3 | 3 | Guard guy |
| 69 | 3 | 3 | Rod anchor |
| 71 | 3 | 3 | Anchor power installed |
| 73 | 150' | 200' | Wire 5/16" galv. |



| NO. | REVISION | DATE | BY | OK | P.E. No. | P.E. No. |
|-----|-------------------|---------|----|-----|----------|----------|
| A | ISSUED FOR REVIEW | 11/5/03 | SP | DPE | 000 | 000 |
| | | | | | | |
| | | | | | | |
| | | | | | | |
| | | | | | | |
| | | | | | | |
| | | | | | | |
| | | | | | | |
| | | | | | | |
| | | | | | | |

| | |
|--|---|
| CLIENT APPROVAL 000 APPROVED BY 000 DATE 00/00/01 | DPE DESIGNED SP DPE CHECKED 000 APPROVED 000 |
| REDINGTON WIND FARM PROJECT DEADEND ANGLE (DEA) STRUCTURE 34.5KV TRANSMISSION REDINGTON TOWNSHIP MAINE | |
| E-PRO Engineering & Environmental Consulting, LLC 249 Western Ave, Augusta, ME 04330 DATE 11/5/03 | |
| SCALE NONE | |
| 10166-E500 SHEET #5 | |
| REV. A | |

| Item No. | Qty. DEB-5 | Qty. DEB-6 | Description |
|----------|------------|------------|------------------------|
| 1 | 1 | 1 | Pole wood |
| 9 | 1 | 1 | Band pole small |
| 10 | 2 | 2 | Band pole large |
| 23 | 6 | 6 | Clamp strain |
| 24 | 18 | 18 | Insulator suspension |
| 25 | 6 | 6 | Eye ball |
| 26 | 3 | 3 | Clew's dead end |
| 46 | 8 | 3 | Bolt lag |
| 47 | 8 | 9 | Bolt cone head |
| 55 | 5 | 6 | Washer sq. curved 4" |
| 56 | 3 | 3 | Washer sq. curved 3" |
| 63 | 5 | 6 | Insulator strain |
| 65 | 5 | 6 | Clip guy |
| 66 | 10 | 12 | Grip guy |
| 68 | 5 | 6 | Guard guy |
| 69 | 5 | 6 | Anchor rod |
| 71 | 5 | 6 | Anchor power installed |
| 73 | 250' | 300' | Wire guy 5/16" galv. |



| NO. | REVISION | DATE | BY | OK | P.E. No. | P.E. No. |
|-----|-------------------|---------|----|-----|----------|----------|
| A | ISSUED FOR REVIEW | 11/9/03 | SP | DPE | 000 | 000 |
| | | | | | | |
| | | | | | | |
| | | | | | | |
| | | | | | | |
| | | | | | | |
| | | | | | | |
| | | | | | | |

| CLIENT APPROVAL | REVIEWED | DATE |
|--------------------|------------|-----------|
| 000 APPROVED BY | 000 DPE | 000/00/01 |
| 000 CHECKED | 000 SP | 000 |

REDINGTON WIND FARM PROJECT
DEADEND BELL (DEB) STRUCTURE
34.5KVTRANSMISSION
REDINGTON TOWNSHIP
SCALE NONE

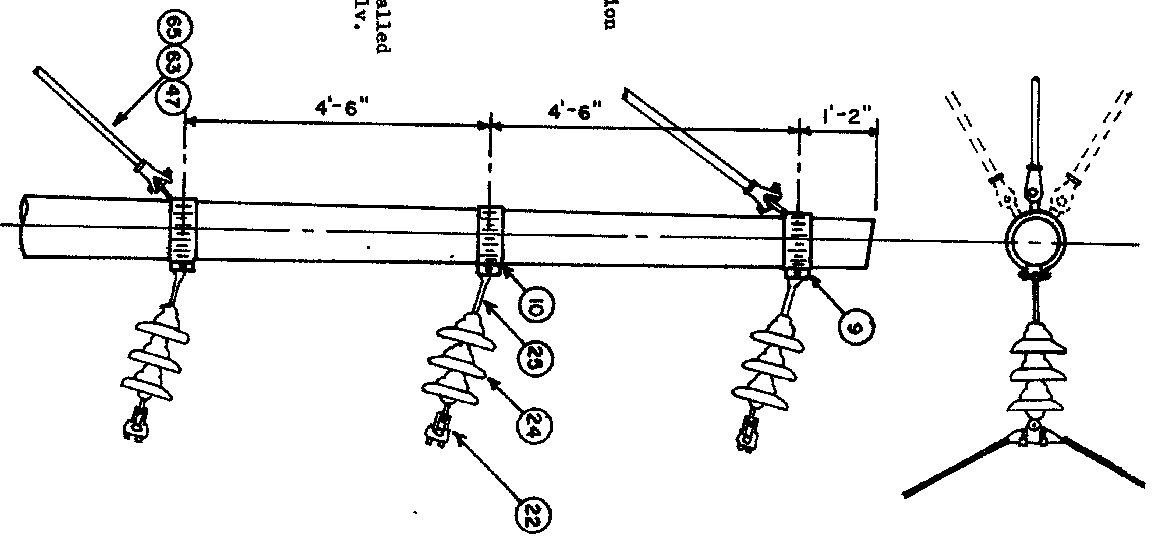
E-PRO Engineering & Environmental Consulting, LLC
249 Western Ave, Augusta, ME 04330
DATE 11/9/03

10166-E500
SHEET #4

MAINE
REV. A

FILENAME:34.5KVTRANSMISH4.DWG

| Item No. | QTY. | QTY. | QTY. | Description |
|----------|------|------|------|------------------------|
| | SP-2 | SP-3 | SP-4 | |
| 1 | 1 | 1 | 1 | Pole wood |
| 9 | 1 | 1 | 1 | Band pole small |
| 10 | 2 | 2 | 2 | Band pole large |
| 22 | 3 | 3 | 3 | Clamp suspension |
| 24 | 9 | 9 | 9 | Insulator suspension |
| 25 | 3 | 3 | 3 | Eye ball |
| 46 | 3 | 3 | 3 | Bolt lag |
| 47 | 2 | 3 | 4 | Bolt cone head |
| 55 | 2 | 3 | 4 | Washer square 4" |
| 63 | 2 | 3 | 4 | Insulator strain |
| 65 | 2 | 3 | 4 | Clip guy |
| 66 | 4 | 6 | 8 | Grip guy |
| 68 | 2 | 3 | 4 | Guard guy |
| 69 | 2 | 3 | 4 | Anchor rod |
| 71 | 2 | 3 | 4 | Anchor power installed |
| 73 | 100' | 150' | 200' | Wire guy 5/16" galv. |



| NO. | REVISION | DATE | BY | OK | P.E. | P.E. |
|-----|-------------------|---------|----|-----|------|------|
| A | ISSUED FOR REVIEW | 11/9/03 | SP | DPE | 000 | 000 |
| | | | | | | |
| | | | | | | |
| | | | | | | |

| | | | | | |
|--|--|--|--|--------------------------------|-------------------|
| <p>CLIENT APPROVAL</p> <p>000 APPROVED BY DATE</p> | <p>DESIGNED BY</p> <p>000 CREATED DATE</p> | <p>REVIEWED BY</p> <p>000 DATE</p> | <p>REDINGTON WIND FARM PROJECT SINGLE BELL (SB) STRUCTURE 34.5KV TRANSMISSION REDINGTON TOWNSHIP MAINE</p> | <p>10166-E500 SHEET #3</p> | <p>REV. A</p> |
|--|--|--|--|--------------------------------|-------------------|

SCALE NONE

FILENAME:34.5KVTRAMSNSH3.DWG