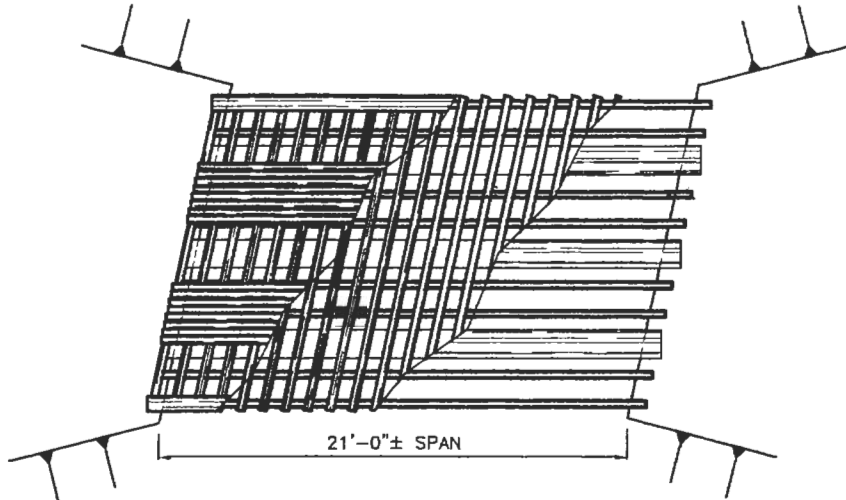


PROJECT: EEC/Redington
 SUBJECT: Bridge Evaluation
 ITEM: Bridge #1, Existing

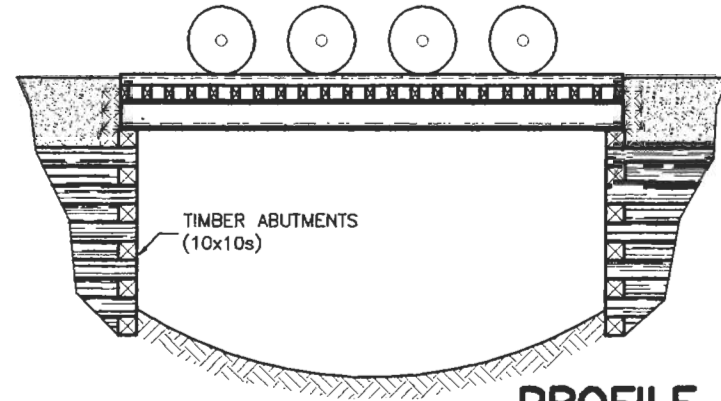
GAGNON ENGINEERING INC.
 Structural Consultants
 198 MAIN STREET
 GORHAM, MAINE 04038

DATE: 04/04/05
 BY: RG / JC
 SHEET: 1 OF 17
 PROJECT NO. 453



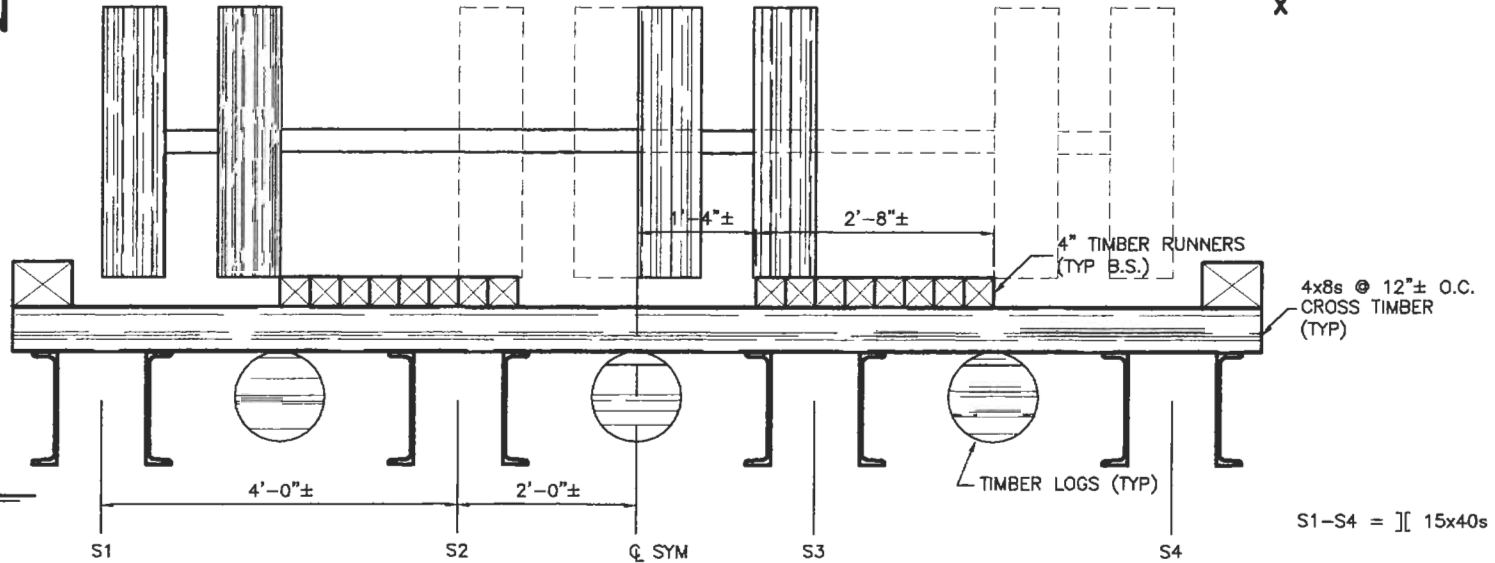
FRAMING PLAN

SCALE: NTS
 X



PROFILE

SCALE: 3/16"=1'-0"
 X



SECTION

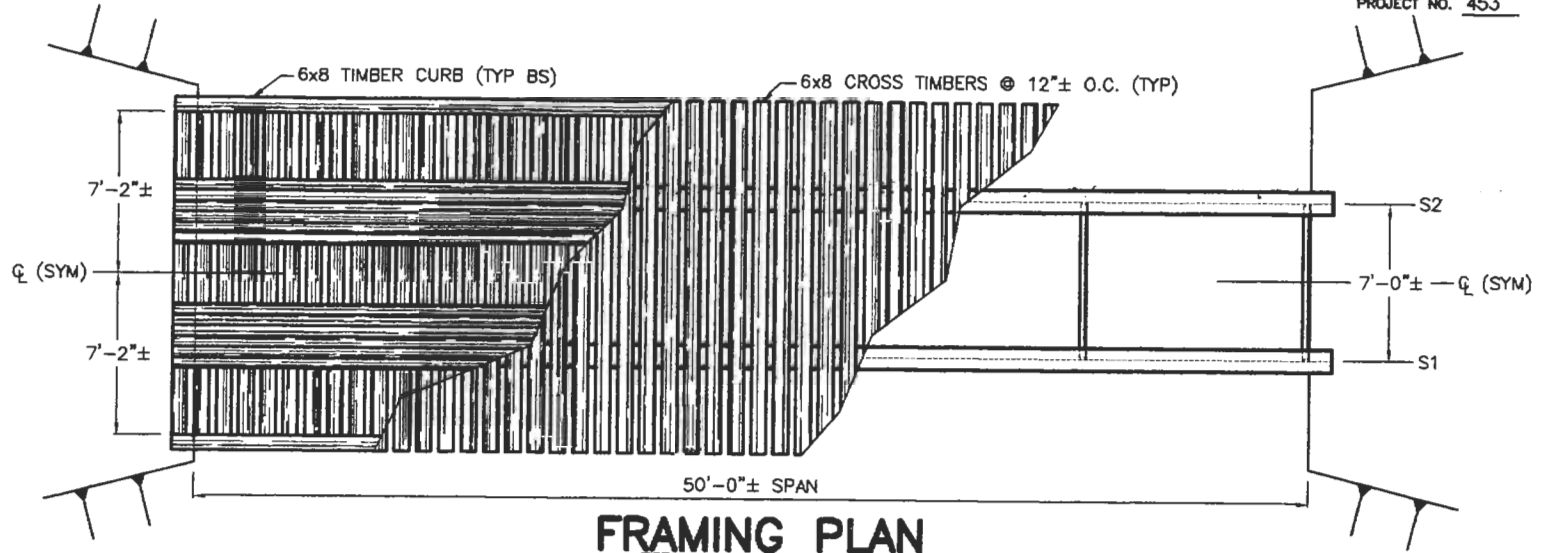
SCALE: NTS
 X

S1-S4 =][15x40s

PROJECT: EEC/Redington
SUBJECT: Bridge Evaluation
ITEM: Bridge #2, Existing

GAGNON ENGINEERING INC.
Structural Consultants
198 MAIN STREET
GORHAM, MAINE 04038

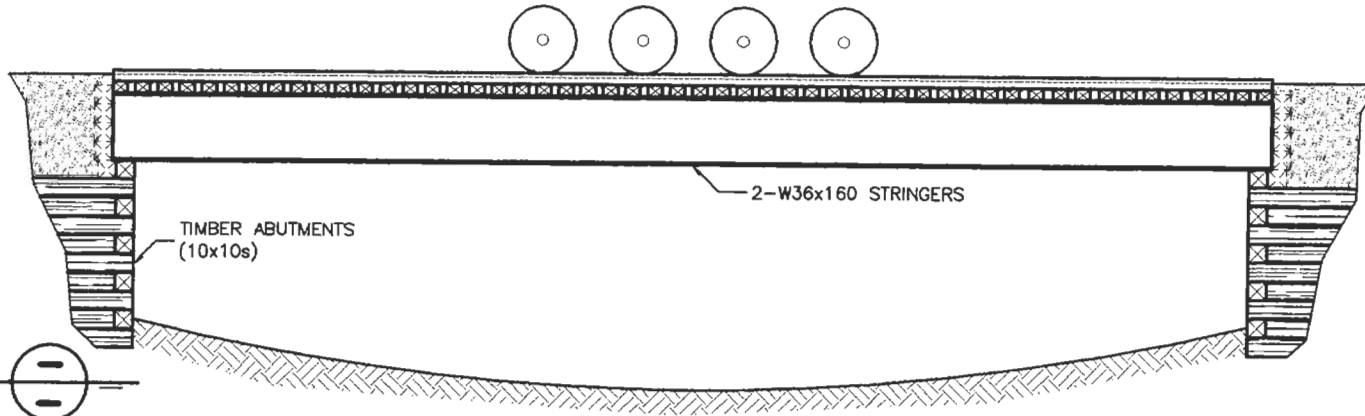
DATE: 04/04/05
BY: RG / JC
SHEET: 2 OF 17
PROJECT NO. 453



FRAMING PLAN

SCALE: NTS
X

S1-S2 = W36x160s (TYP)



PROFILE

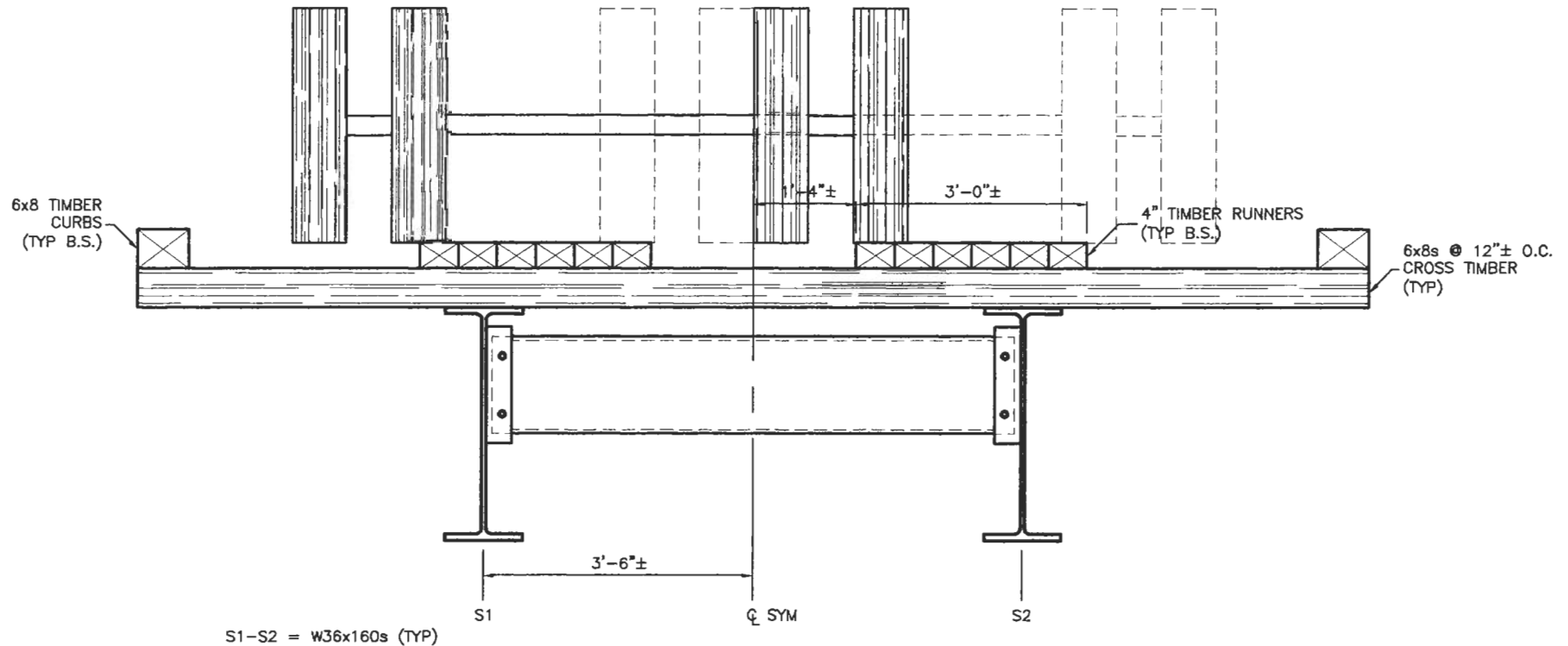
SCALE: NTS
X



PROJECT: EEC/Redington
SUBJECT: Bridge Evaluation
ITEM: Bridge #2, Existing

GAGNON ENGINEERING INC.
Professional Consultants
198 MAIN STREET
GORHAM, MAINE 04038

DATE: 04/04/05
BY: RG / JC
SHEET: 3 OF 17
PROJECT NO. 453

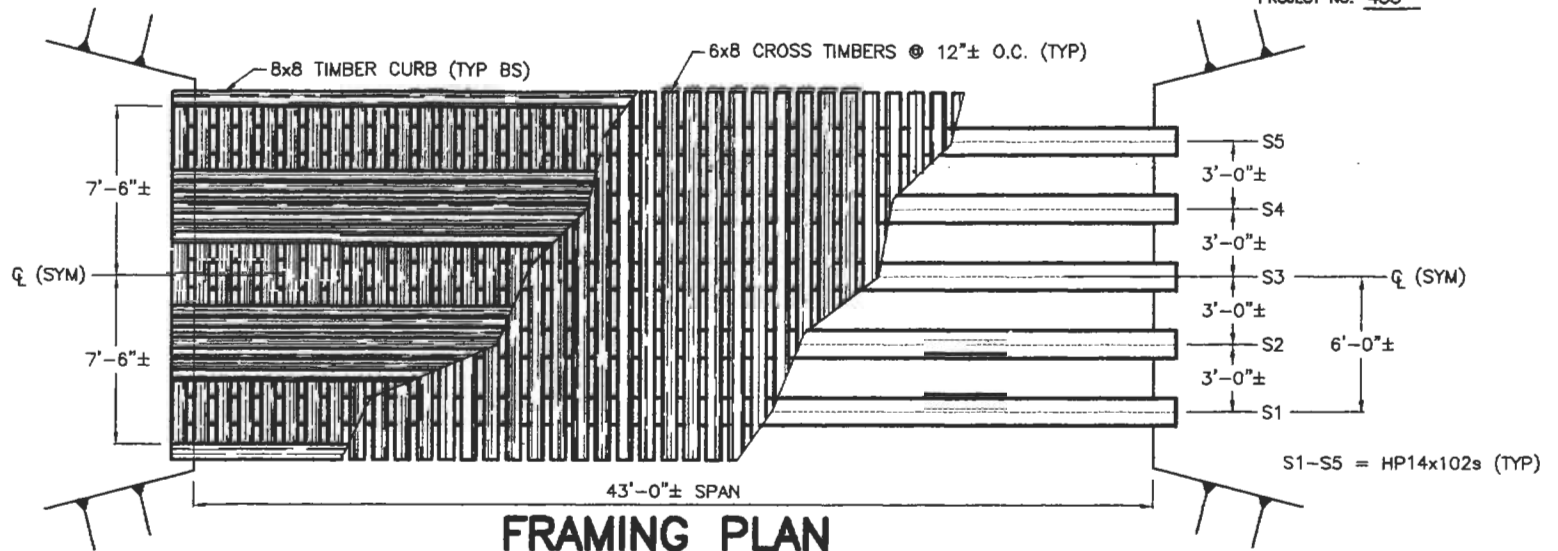


SECTION 
SCALE: NTS
X

PROJECT: EEC/Redington
SUBJECT: Bridge Evaluation
ITEM: Bridge #3, Existing

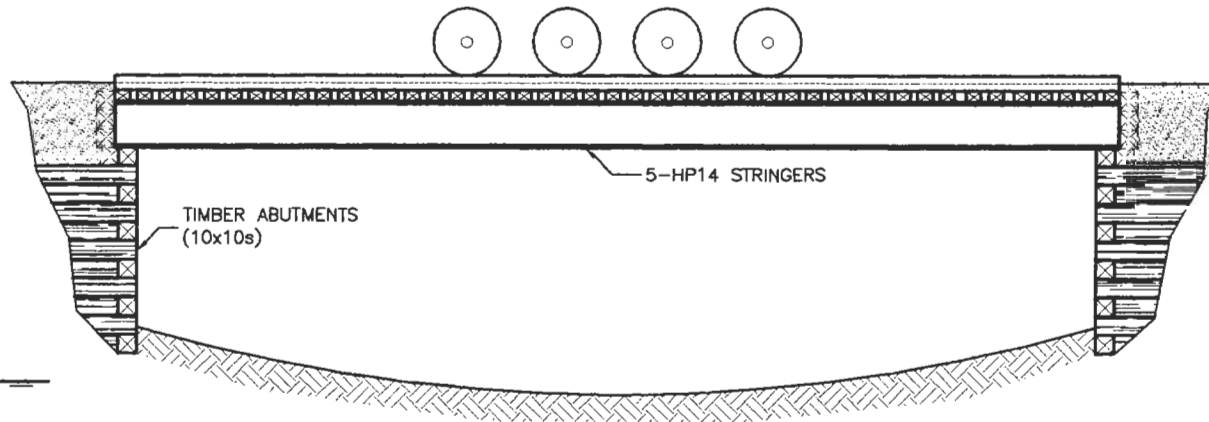
GAGNON ENGINEERING INC.
Structural Consultants
198 MAIN STREET
GORHAM, MAINE 04038

DATE: 04/04/05
BY: RG / JC
SHEET: 4 OF 17
PROJECT NO. 453



FRAMING PLAN

SCALE: NTS
X



PROFILE

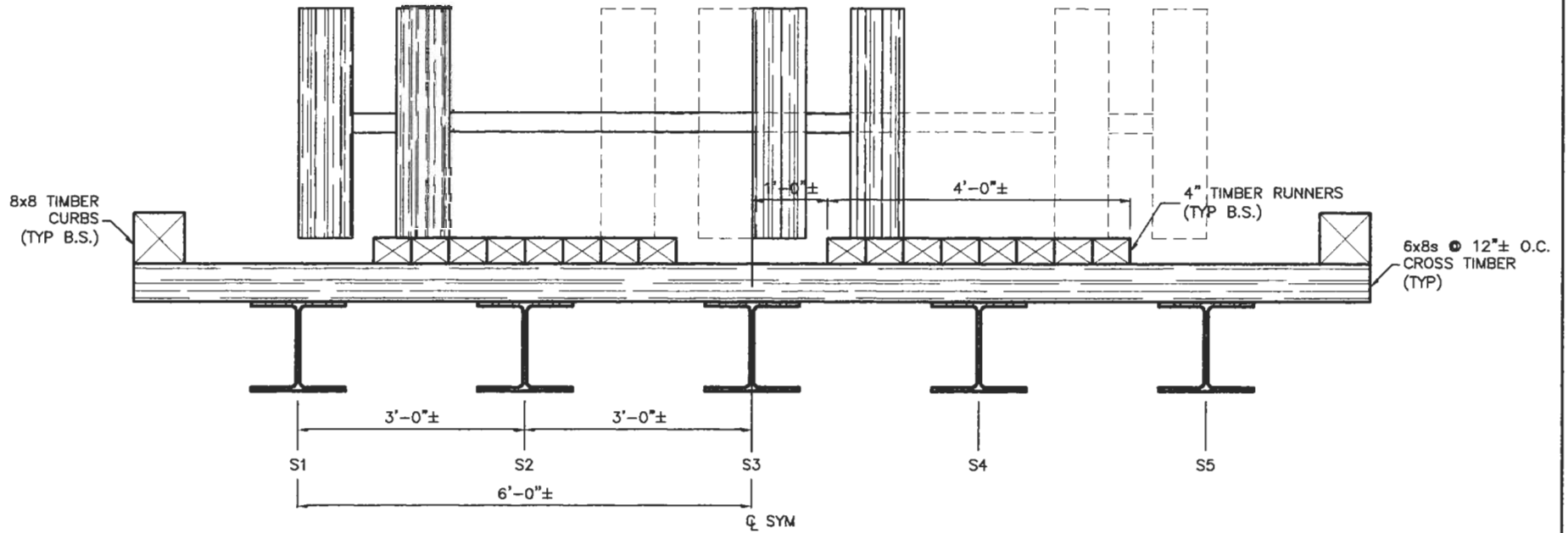
SCALE: NTS
X



PROJECT: EEC/Redington
SUBJECT: Bridge Evaluation
ITEM: Bridge #3, Existing

GAGNON ENGINEERING INC.
Structural Consultants
198 MAIN STREET
GORHAM, MAINE 04038

DATE: 04/04/05
BY: RG / JC
SHEET: 5 OF 17
PROJECT NO. 453



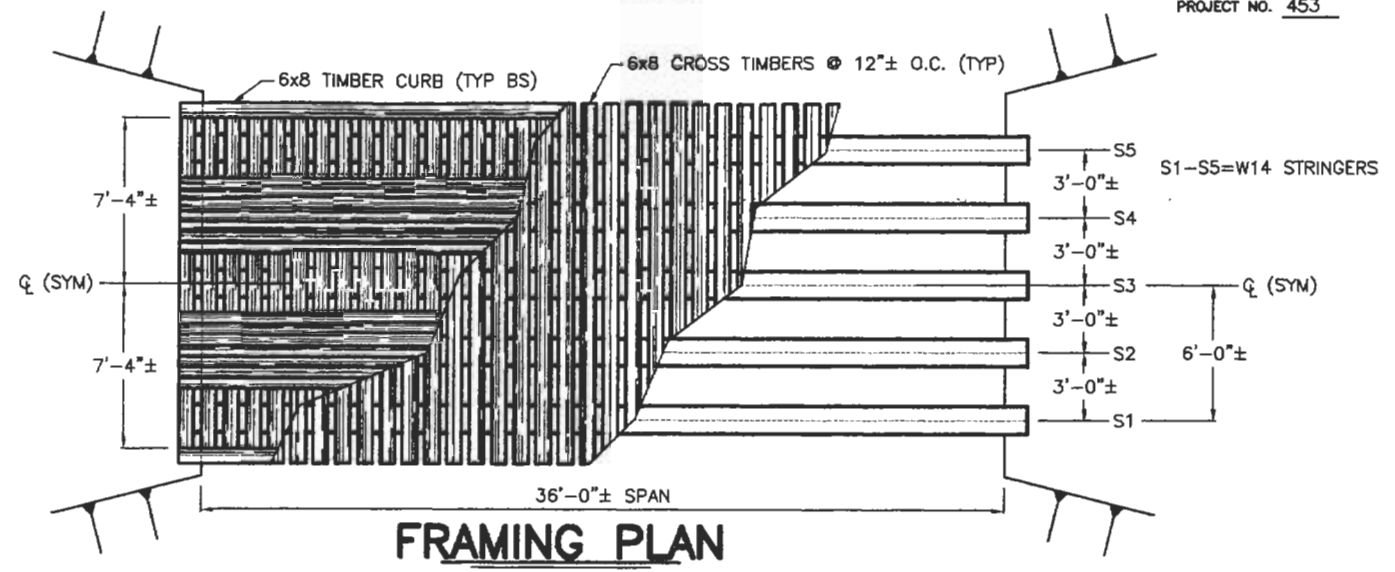
S1-S5 = HP14x120s (TYP)

SECTION 
SCALE: NTS
X

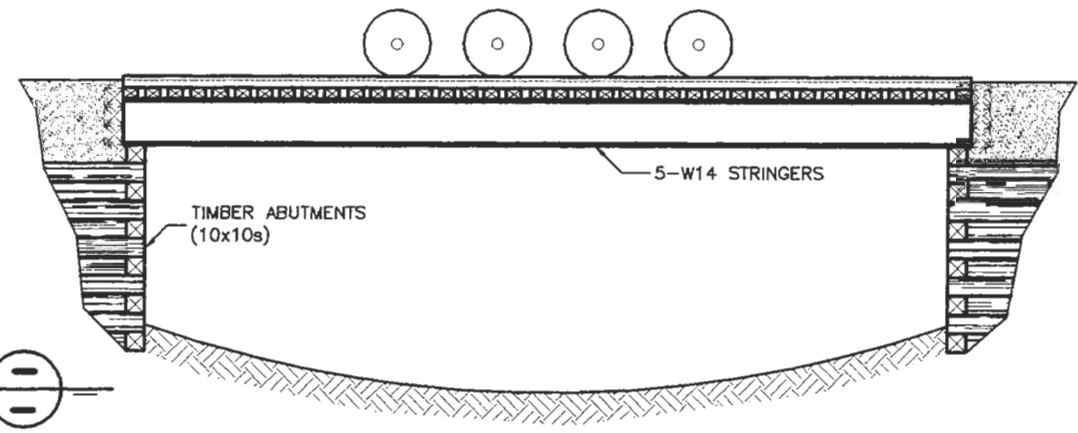
PROJECT: EEC/Redington
 SUBJECT: Bridge Evaluation
 ITEM: Bridge #5, Existing

GAGNON ENGINEERING INC.
 198 MAIN STREET
 GORHAM, MAINE 04038

DATE: 04/04/05
 BY: RG / JC
 SHEET: 6 OF 17
 PROJECT NO. 453



SCALE: NTS
 X

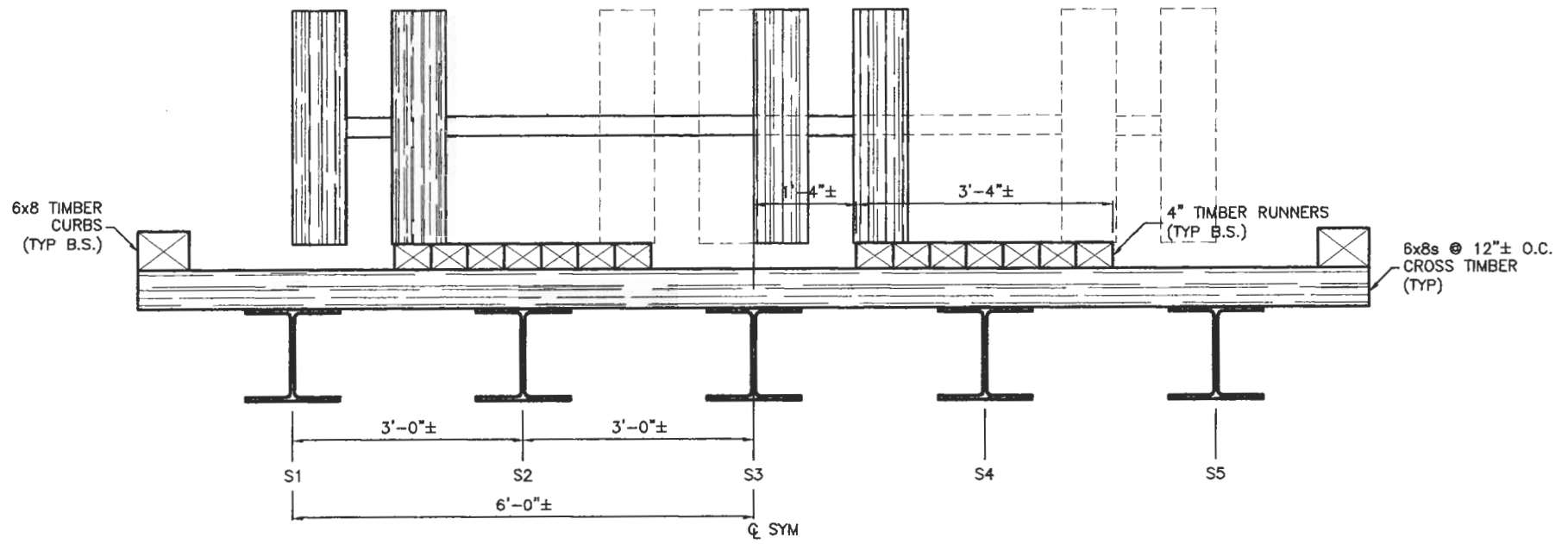


PROFILE
 SCALE: NTS
 X

PROJECT: EEC/Redington
SUBJECT: Bridge Evaluation
ITEM: Bridge #5, Existing

GAGNON ENGINEERING INC.
Structural Consultants
198 MAIN STREET
GORHAM, MAINE 04038

DATE: 04/04/05
BY: RG / JC
SHEET: 7 OF 17
PROJECT NO. 453



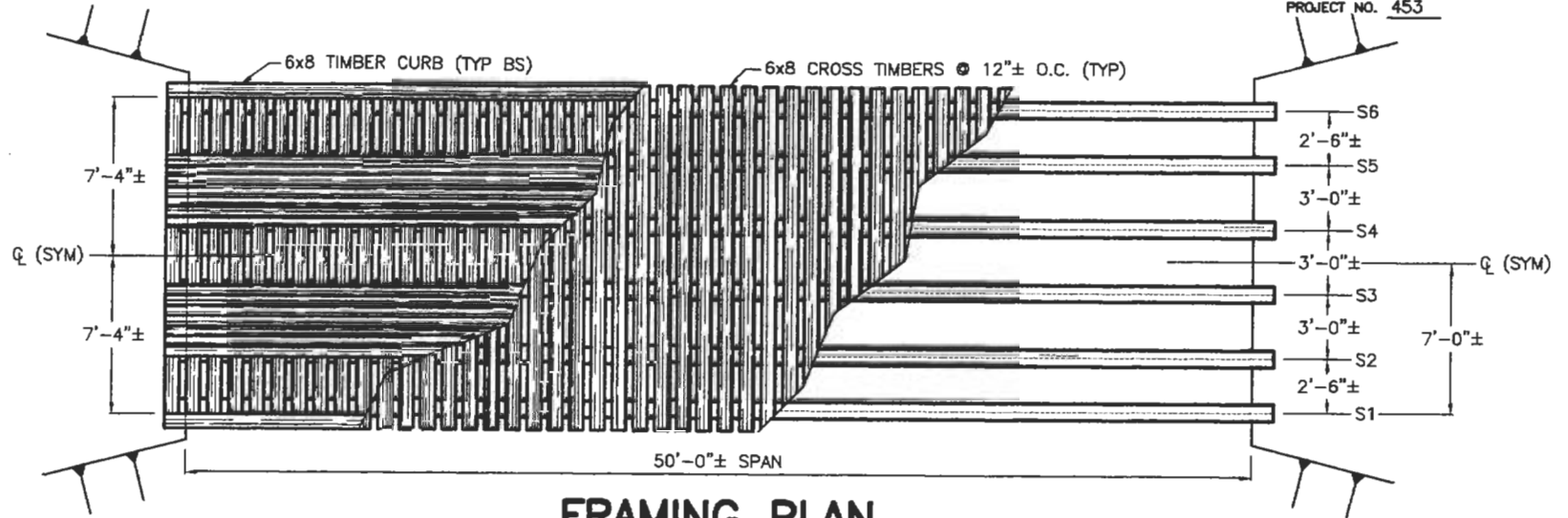
S1-S5 = HP14x89s (TYP)

SECTION 
SCALE: NTS
X

PROJECT: ECC/Redington
 SUBJECT: Bridge Evaluation
 ITEM: Bridge #6, Existing

GAGNON ENGINEERING INC.
 Structural Consultants
 198 MAIN STREET
 GORHAM, MAINE 04038

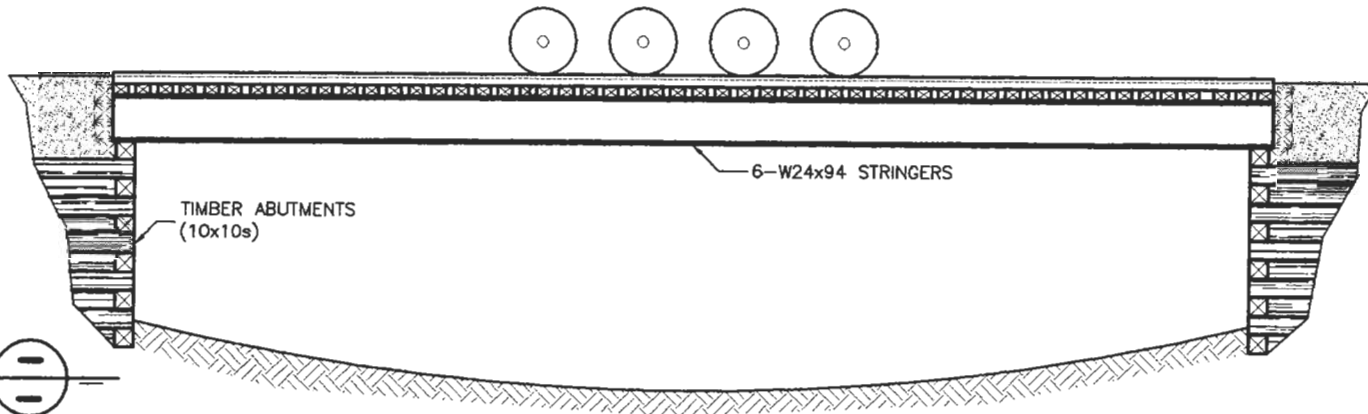
DATE: 04/04/05
 BY: RG / JC
 SHEET: 8 OF 17
 PROJECT NO. 453



FRAMING PLAN

SCALE: NTS
 X

S1-S6 = HP14x89s (TYP)



PROFILE

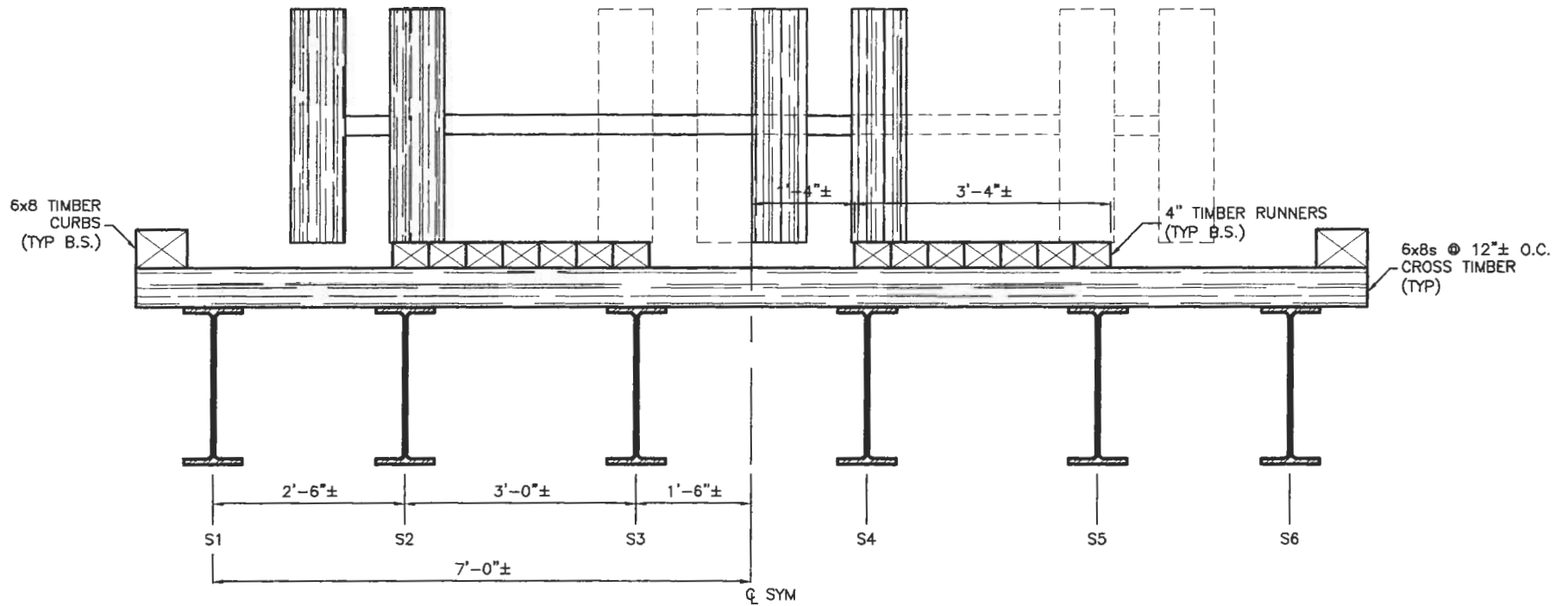
SCALE: NTS
 X



PROJECT: EEC/Redington
SUBJECT: Bridge Evaluations
ITEM: Bridge #6, Existing

GAGNON ENGINEERING INC.
Structural Consultants
198 MAIN STREET
GORHAM, MAINE 04038

DATE: 04/04/05
BY: RG / JC
SHEET: 9 OF 17
PROJECT NO. 453



S1-S6 = W24x94s (TYP)

SECTION

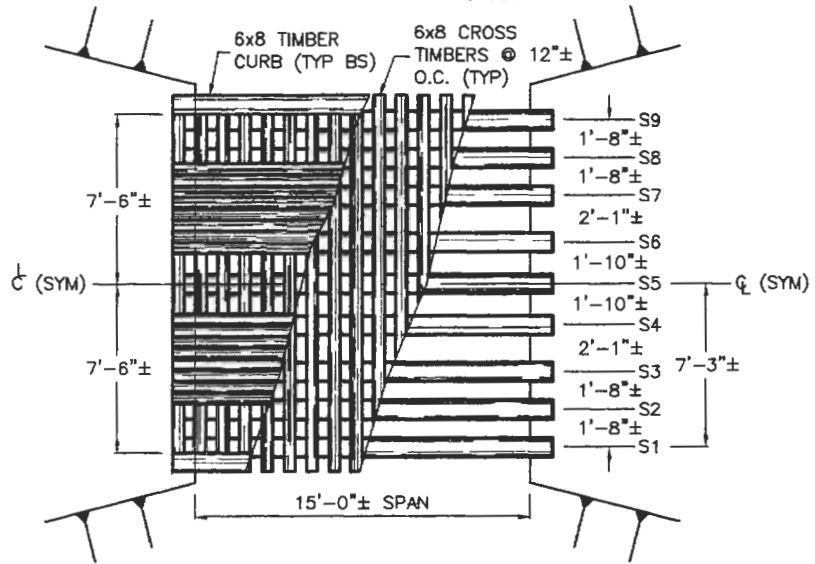
SCALE: NTS
X



PROJECT: EEC/Redington
SUBJECT: Bridge Evaluation
ITEM: Bridge #7, Existing

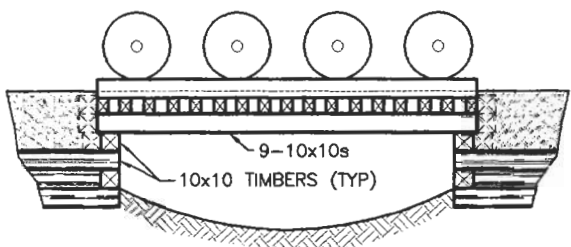
GAGNON ENGINEERING INC.
198 MAIN STREET
GORHAM, MAINE 04038

DATE: 04/04/05
BY: RG / JC
SHEET: 10 OF 17
PROJECT NO. 453



FRAMING PLAN

SCALE: NTS
X



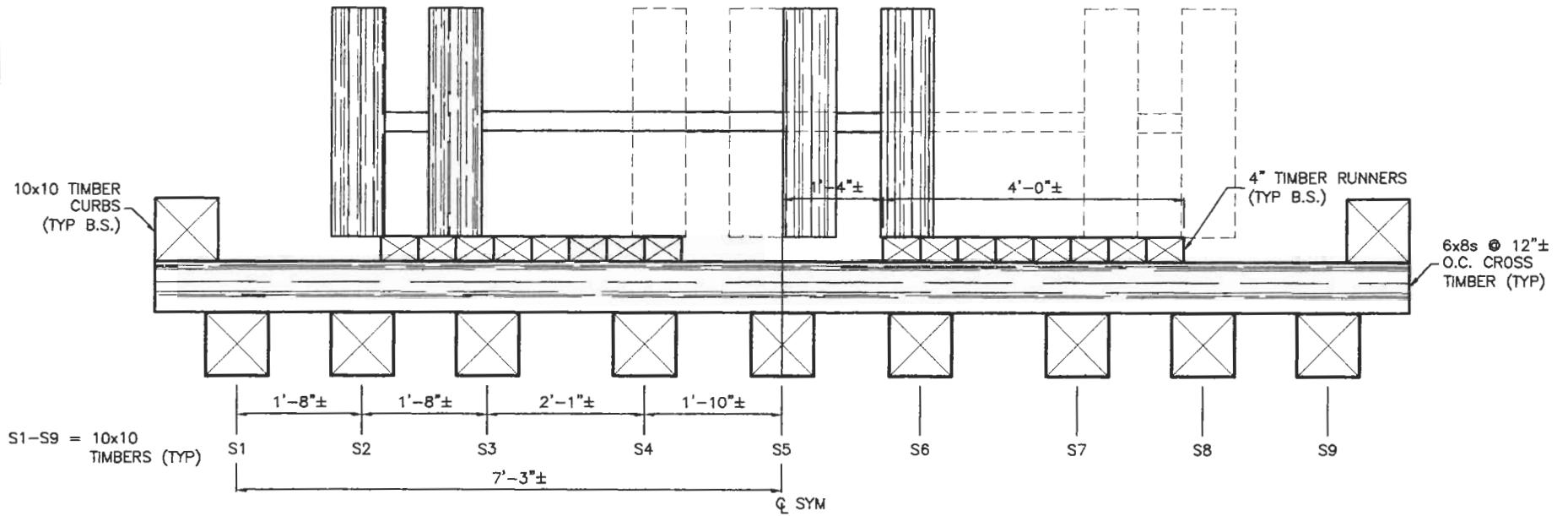
PROFILE

SCALE: NTS
X

PROJECT: EEC/Redington
SUBJECT: Bridge Evaluation
ITEM: Bridge #7, Existing

GAGNON ENGINEERING INC.
Structural Consultants
198 MAIN STREET
GORHAM, MAINE 04038

DATE: 04/04/05
BY: RG / JC
SHEET: 11 OF 17
PROJECT NO. 453

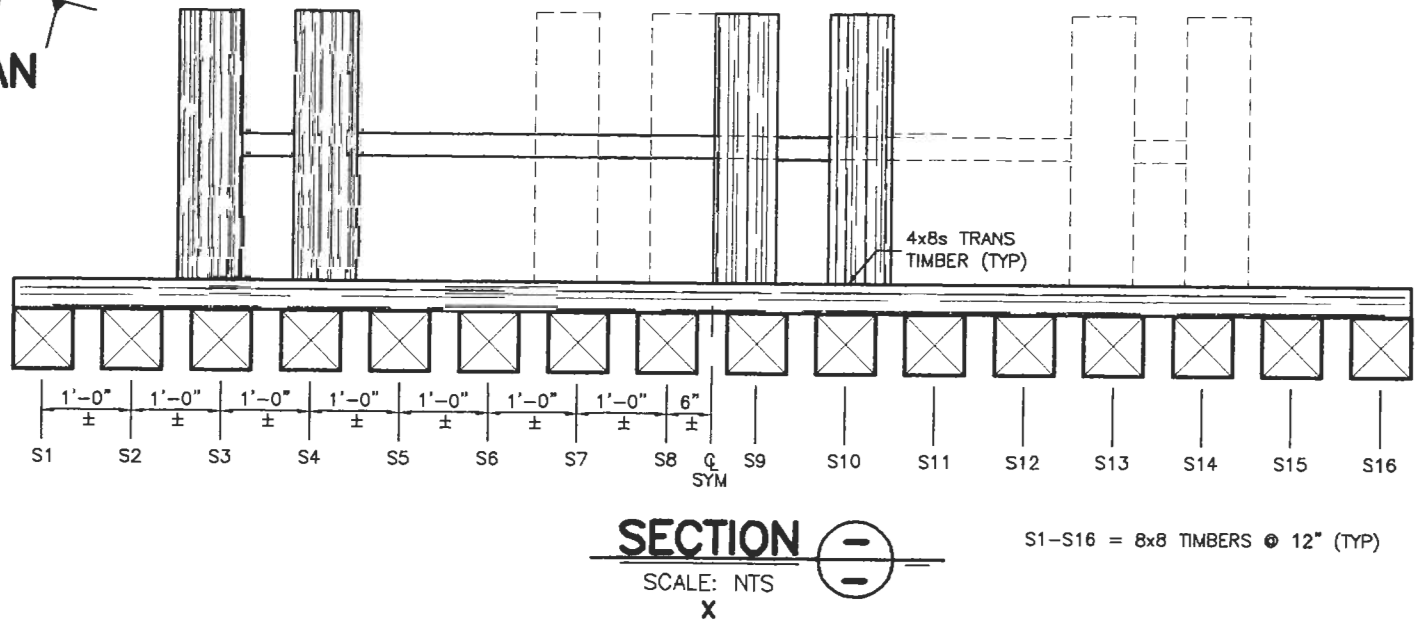
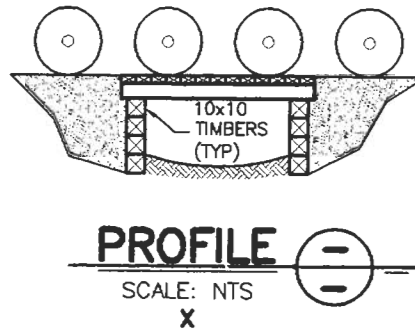
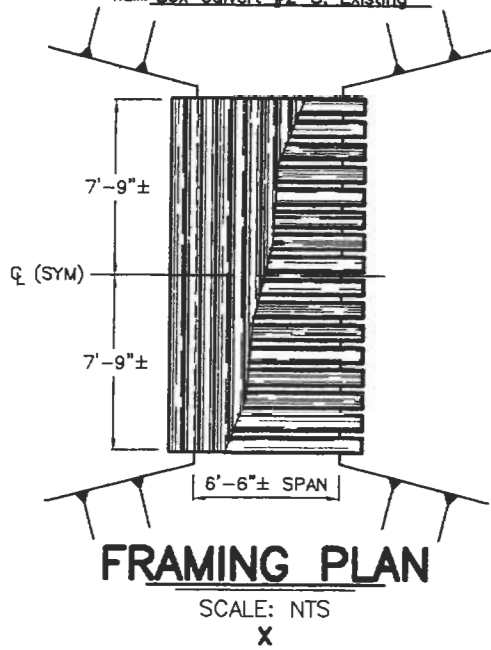


SECTION 
SCALE: NTS
X

PROJECT: EEC/Redington
 SUBJECT: Bridge Evaluation
 ITEM: Box Culvert #2-5, Existing

GAGNON ENGINEERING INC.
 Structural Consultants
 198 MAIN STREET
 GORHAM, MAINE 04038

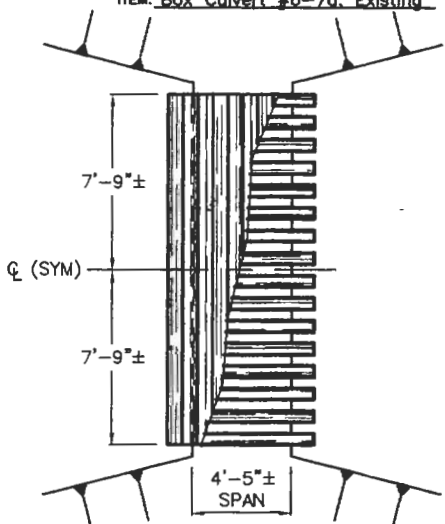
DATE: 04/04/05
 BY: RG / JC
 SHEET: 12 OF 17
 PROJECT NO. 453



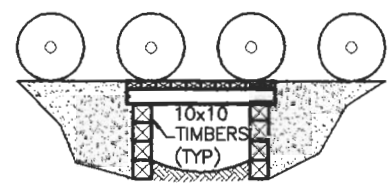
PROJECT: EEC/Redington
 SUBJECT: Bridge Evaluation
 ITEM: Box Culvert #6-7a, Existing

GAGNON ENGINEERING INC.
 Structural Consultants
 198 MAIN STREET
 GORHAM, MAINE 04038

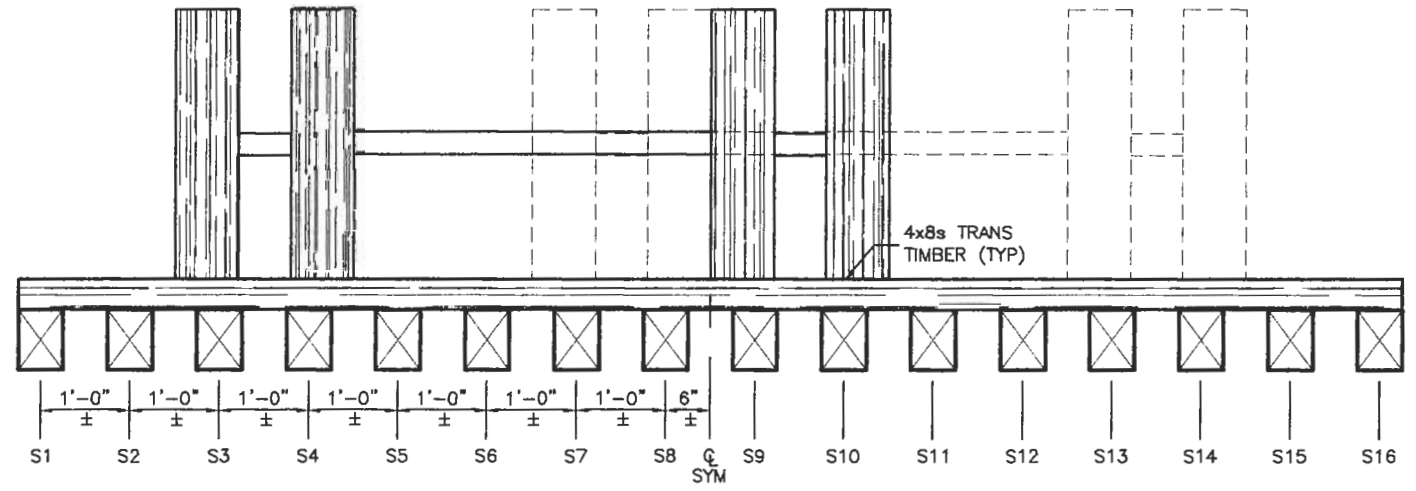
DATE: 04/04/05
 BY: RG / JC
 SHEET: 13 OF 17
 PROJECT NO. 453



FRAMING PLAN
 SCALE: NTS
 X



PROFILE
 SCALE: NTS
 X



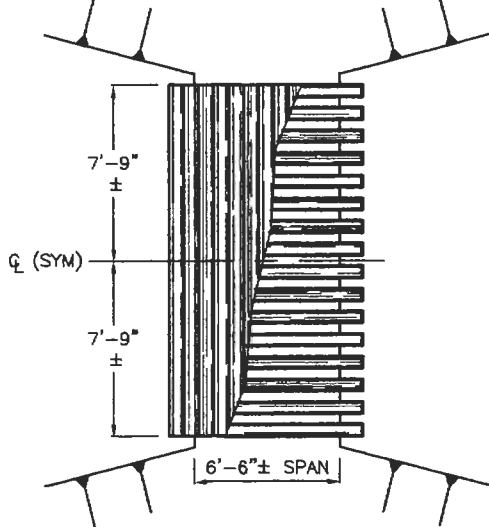
SECTION
 SCALE: NTS
 X

S1-S16 = 6x8 TIMBERS @ 12" (TYP)

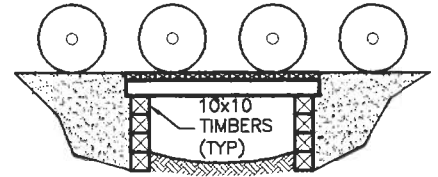
PROJECT: EFC/Redington
 SUBJECT: Bridge Evaluation
 ITEM: Box Culvert #6-7b. Existing

GAGNON ENGINEERING INC.
 Structural Consultants
 198 MAIN STREET
 GORHAM, MAINE 04038

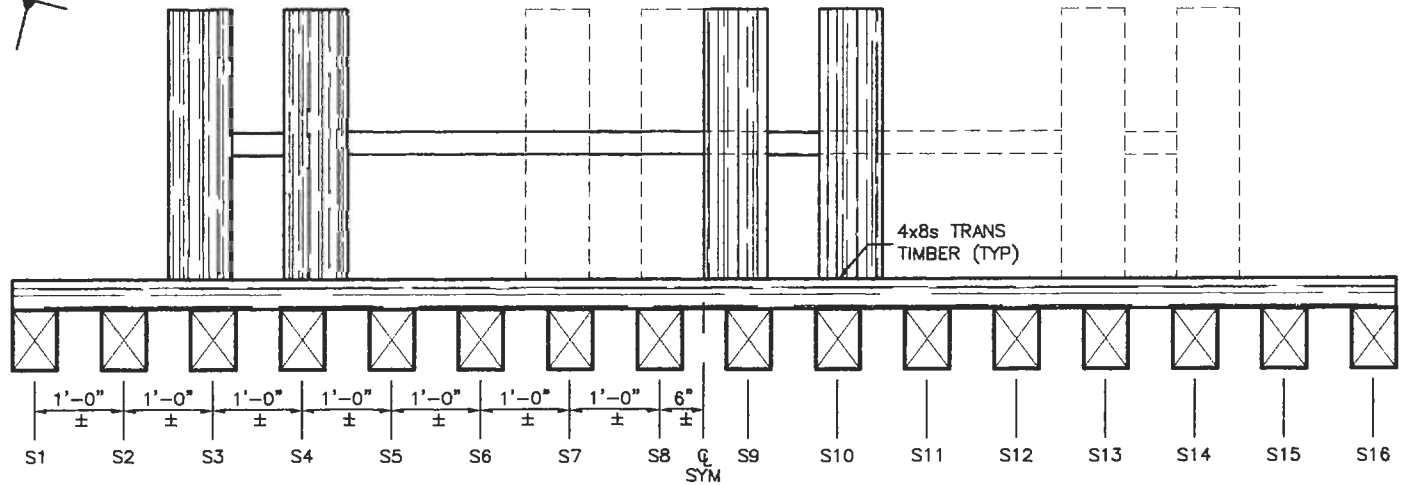
DATE: 04/04/05
 BY: RG / JC
 SHEET: 14 OF 17
 PROJECT NO. 453



FRAMING PLAN
 SCALE: NTS
 X



PROFILE
 SCALE: NTS
 X



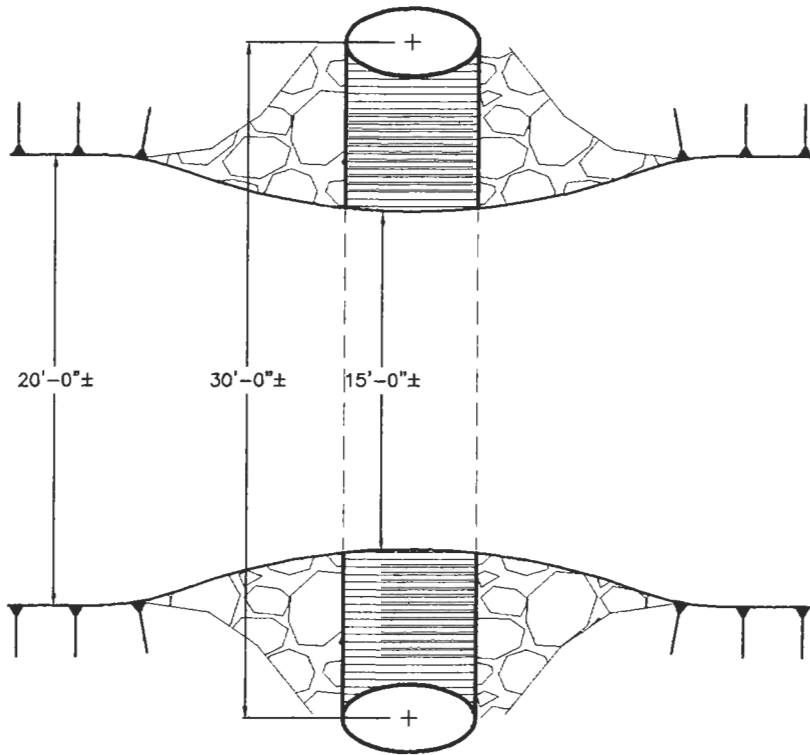
SECTION
 SCALE: NTS
 X

S1-S16 = 6x8 TIMBERS @ 12" (TYP)

PROJECT: EEC/Redington
SUBJECT: Bridge Evaluation
ITEM: Culvert #4, Existing

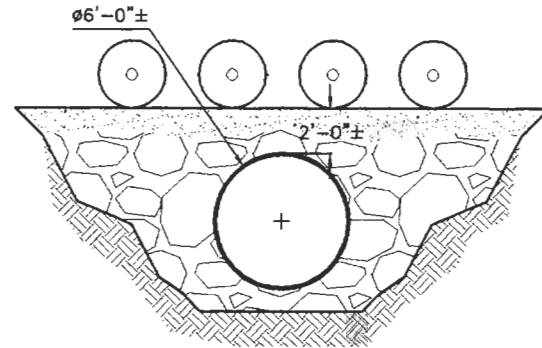
GAGNON ENGINEERING INC.
Structural Consultants
198 MAIN STREET
GERHAM, MAINE 04038

DATE: 04/04/05
BY: RG / JC
SHEET: 15 OF 17
PROJECT NO. 453



FRAMING PLAN

SCALE: NTS
X



PROFILE

SCALE: NTS

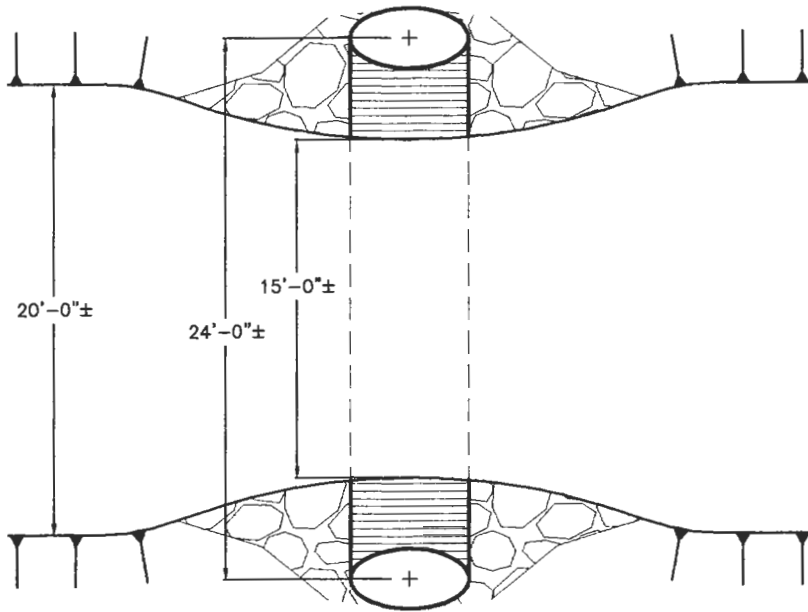
X



PROJECT: EEC/Redington
SUBJECT: Bridge Evaluation
ITEM: Culvert #5, Existing

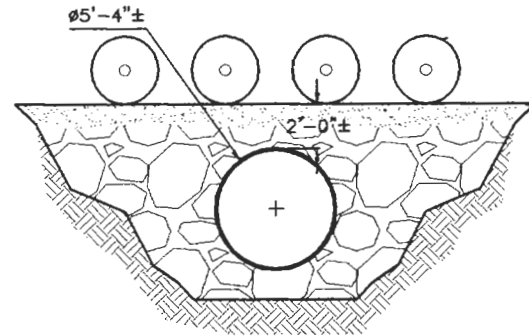
GAGNON ENGINEERING INC.
Structural Consultants
198 MAIN STREET
GERHAM, MAINE 04038

DATE: 04/04/05
BY: RG / JC
SHEET: 16 OF 17
PROJECT NO. 453



FRAMING PLAN

SCALE: NTS
X



PROFILE

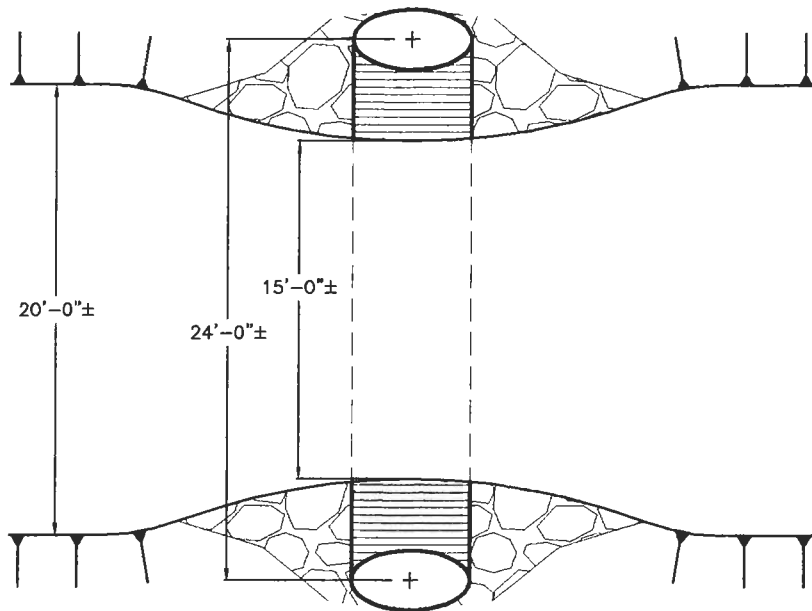
SCALE: NTS
X



PROJECT: EEC/Redington
SUBJECT: Bridge Evaluation
ITEM: Culvert #10, Existing

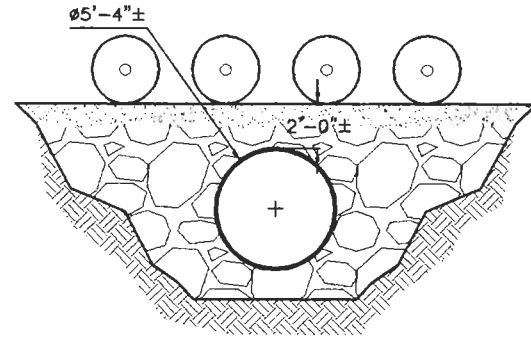
GAGNON ENGINEERING INC.
Structural Consultants
198 MAIN STREET
GORHAM, MAINE 04038

DATE: 04/04/05
BY: RG / JC
SHEET: 17 OF 17
PROJECT NO. 453



FRAMING PLAN

SCALE: NTS
X



PROFILE 
SCALE: NTS
X

Appendix B

Figures

Figure 1 - Transport Vehicle

Figure 2 – Deck Support at Wheel Loads

Figure 3 – Inter-Stringer Bridging & Lateral Bracing

Figure 4 – Pre-Cast Concrete Runners

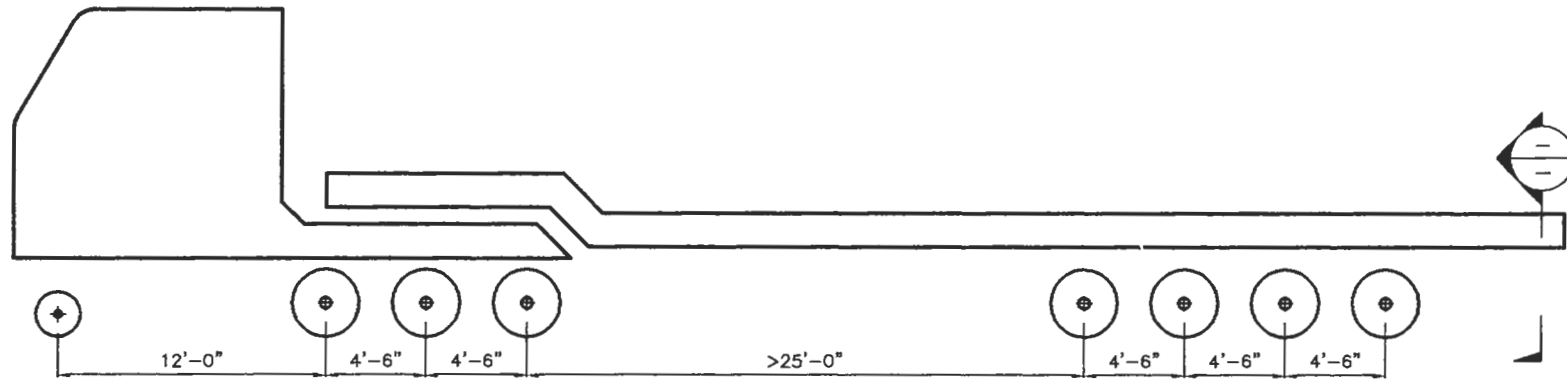
Figure 5 – Portable Bridge Concept

PROJECT: EEC/Redington
 SUBJECT: Transport Vehicles
 ITEM: Analysis Configuration

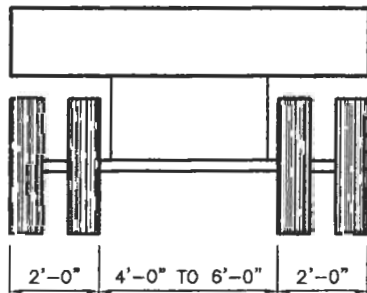
GAGNON ENGINEERING INC.
 Registered Consultants
 198 MAIN STREET
 GORHAM, MAINE 04038

DATE: 04/04/05
 BY: RG / JC
 SHEET: 1 OF 6
 PROJECT NO. 453





FIGURE 1: TRANSPORT VEHICLE



PROFILE 
 SCALE: NTS
 X



SECTION 
 SCALE: NTS
 X

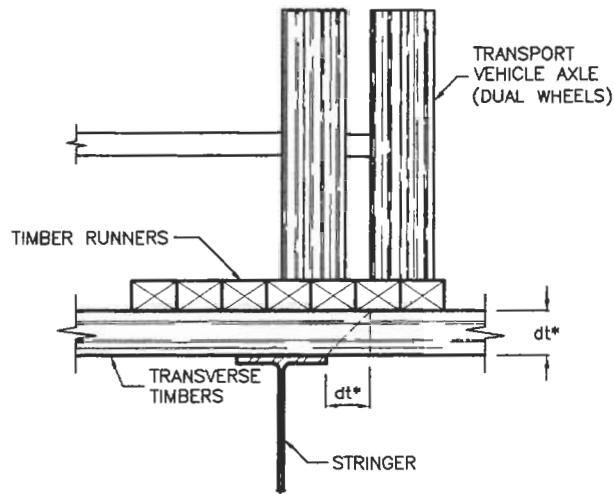
	= 40K AXLE
	= 20K AXLE
	= 20K WHEEL (TANDEM TIRES)
	= 10K WHEEL (SINGLE TIRE)

PROJECT: EEC/Redington
SUBJECT: Bridge Evaluation
ITEM: Deck Support @ Wheel Loads

GAGNON ENGINEERING INC.
Structural Consultants
198 MAIN STREET
GORHAM, MAINE 04038

DATE: 04/04/05
BY: RG / JC
SHEET: 2 OF 6
PROJECT NO. 453

FIGURE 2: DECK SUPPORT AT WHEEL LOADS



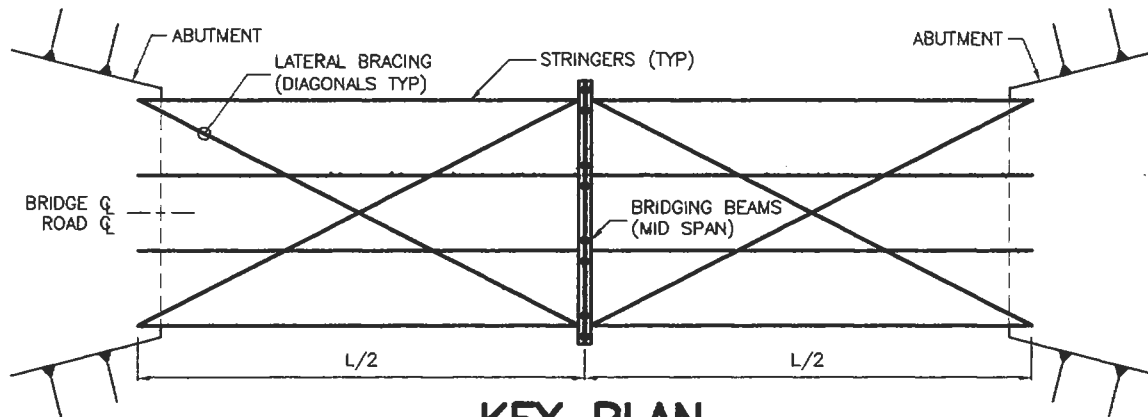
*NOTE:
EXSTG TRANSVERSE TIMBERS ARE
OVER STRESSED WHEN ANY TIRE IS
FURTHER FROM STRINGER THAN SHOWN

DETAIL DS
SCALE: NTS
DECK SUPPORT @ WHEEL LOADS

PROJECT: EEC/Redington
 SUBJECT: Bridge Evaluation
 ITEM: Deck Support @ Wheel Loads

GAGNON ENGINEERING INC.
 Structural Consultants
 198 MAIN STREET
 GORHAM, MAINE 04038

DATE: 04/04/05
 BY: RG / JC
 SHEET: 3 OF 6
 PROJECT NO. 453

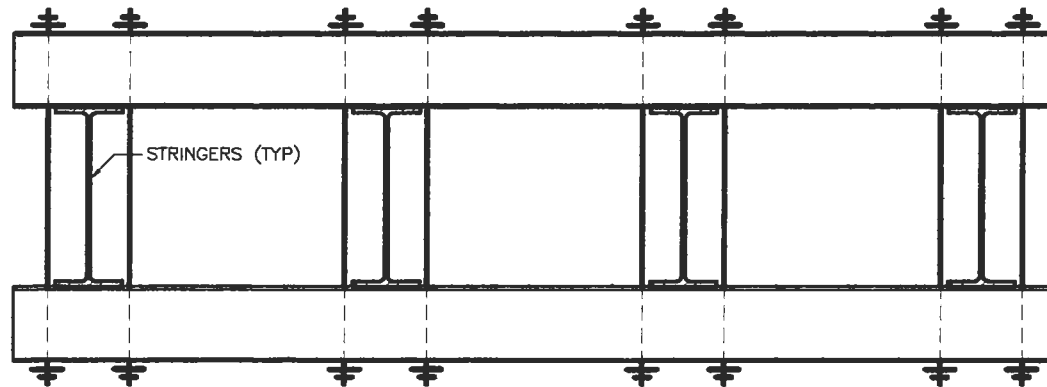
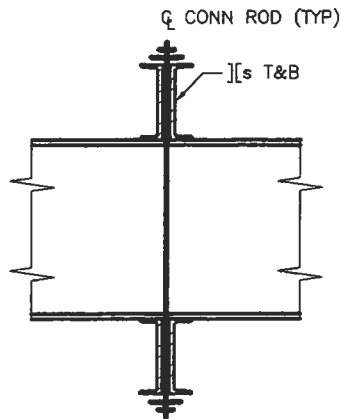


KEY PLAN

SCALE: NTS
 X

NOTE:
 TIMBER DECK NOT
 SHOWN FOR CLARITY

**FIGURE 3:
 INTER-STRINGER BRIDGING
 & LATERAL BRACING**



DETAIL

BB

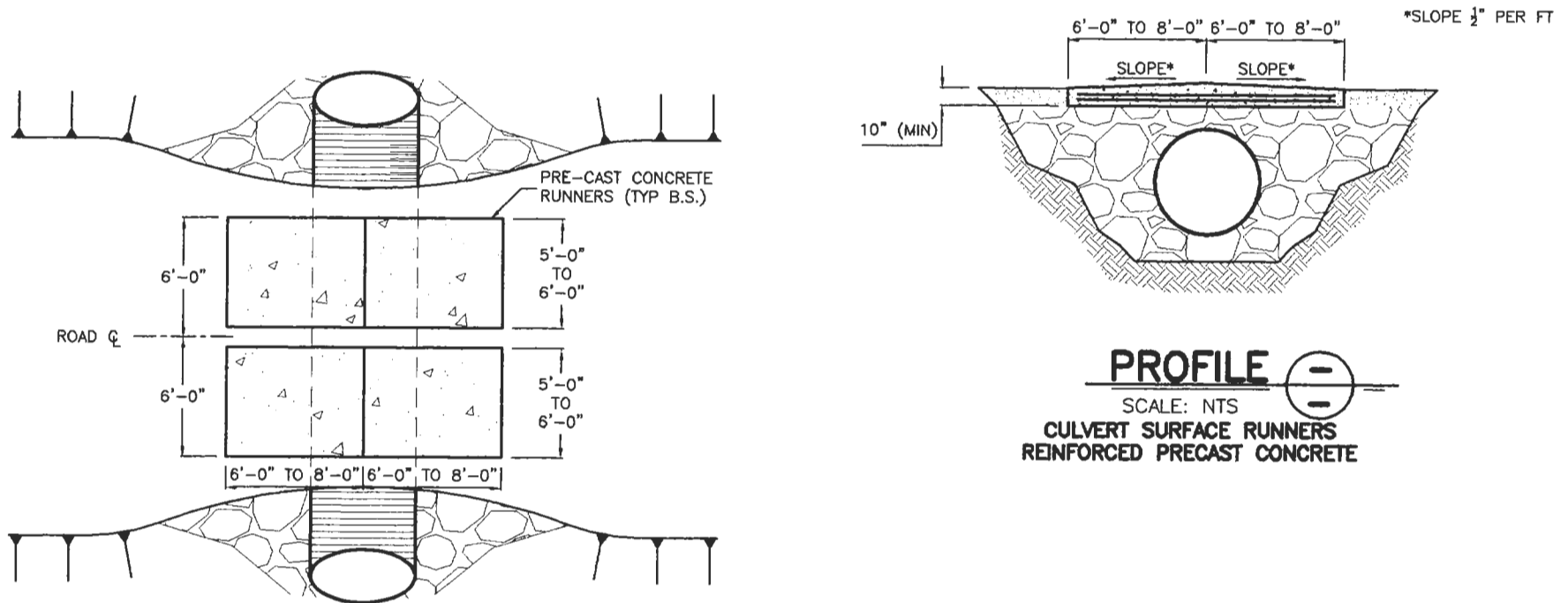
SCALE: NTS
 BRIDGING BEAMS

PROJECT: EEC/Redington
 SUBJECT: Bridge Evaluation
 ITEM: Deck Support @ Wheel Loads

GAGNON ENGINEERING INC.
 Structural Consultants
 198 MAIN STREET
 GORHAM, MAINE 04038

DATE: 04/04/05
 BY: RG / JC
 SHEET: 4 OF 6
 PROJECT NO. 453

FIGURE 4: PRE-CAST CONCRETE RUNNERS



PROFILE

SCALE: NTS
 CULVERT SURFACE RUNNERS
 REINFORCED PRECAST CONCRETE

PLAN

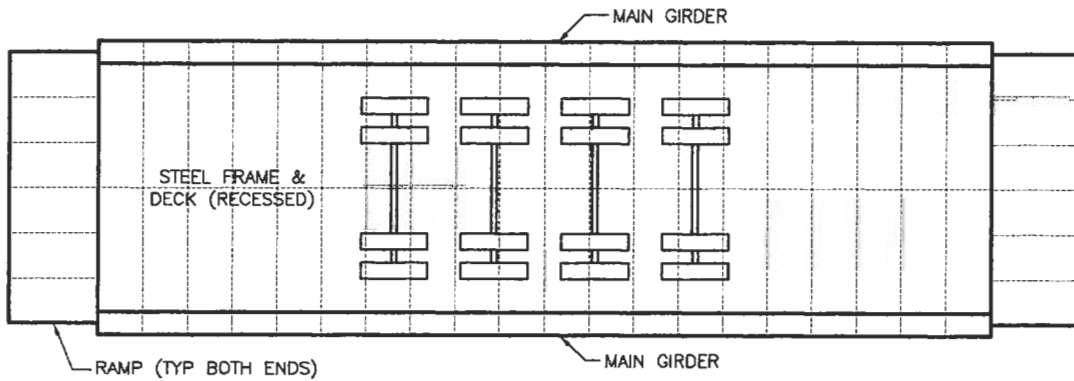
SCALE: NTS
 CULVERT SURFACE RUNNERS
 REINFORCED PRECAST CONCRETE

PROJECT: EFC/Redington
SUBJECT: Bridge Evaluation
ITEM: Deck Support @ Wheel Loads

GAGNON ENGINEERING INC.
Structural Consultants
198 MAIN STREET
GORHAM, MAINE 04038

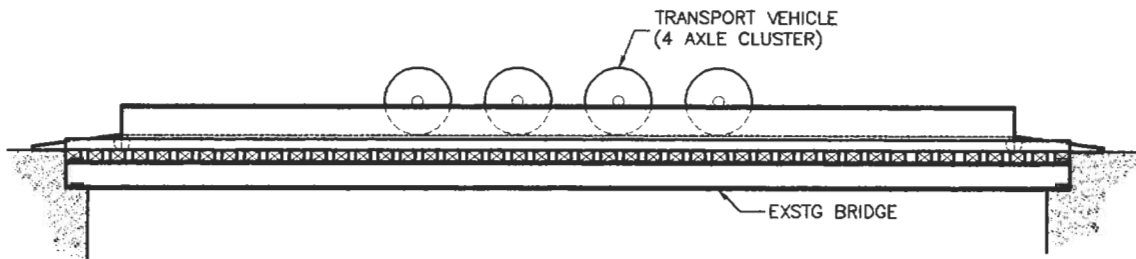
DATE: 04/04/05
BY: RG / JC
SHEET: 5 OF 6
PROJECT NO. 453

FIGURE 5g:
PORTABLE BRIDGE (CONCEPT)



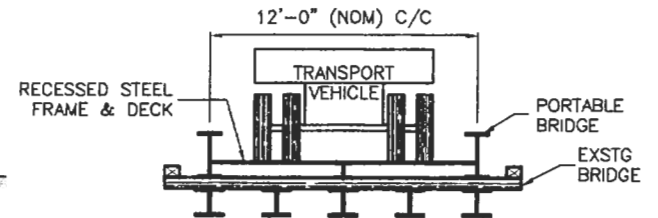
PLAN

SCALE: NTS
(ON EXSTG BRIDGE)



PROFILE

SCALE: NTS
(ON EXSTG BRIDGE)



SECTION

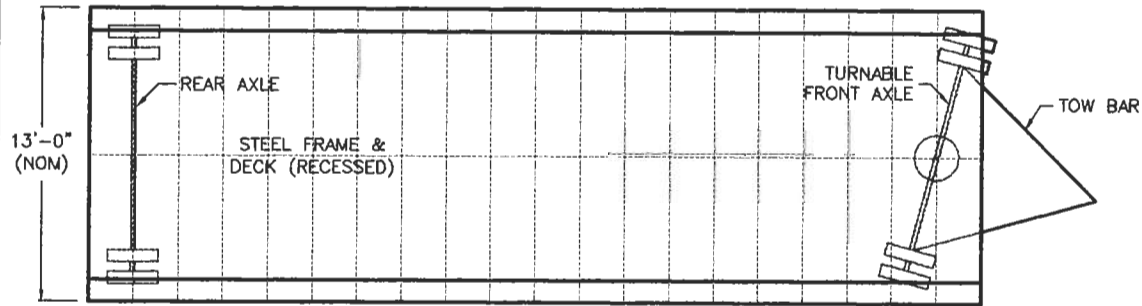
SCALE: NTS
(ON EXSTG BRIDGE)

PROJECT: EEC/Redington
SUBJECT: Bridge Evaluation
ITEM: Deck Support @ Wheel Loads

GAGNON ENGINEERING INC.
Structural Consultants
198 MAIN STREET
GORHAM, MAINE 04038

DATE: 04/04/05
BY: RG / JC
SHEET: 6 OF 6
PROJECT NO. 453

FIGURE 5b: PORTABLE BRIDGE (CONCEPT)



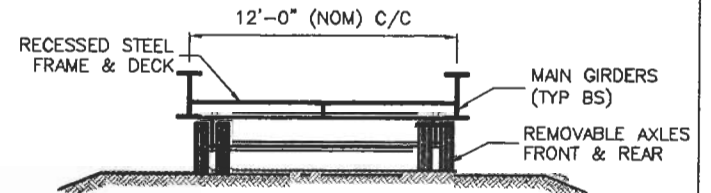
PLAN

SCALE: NTS
(TRAVELING)



PROFILE

SCALE: NTS
(TRAVELING)



SECTION

SCALE: NTS
(TRAVELING)

